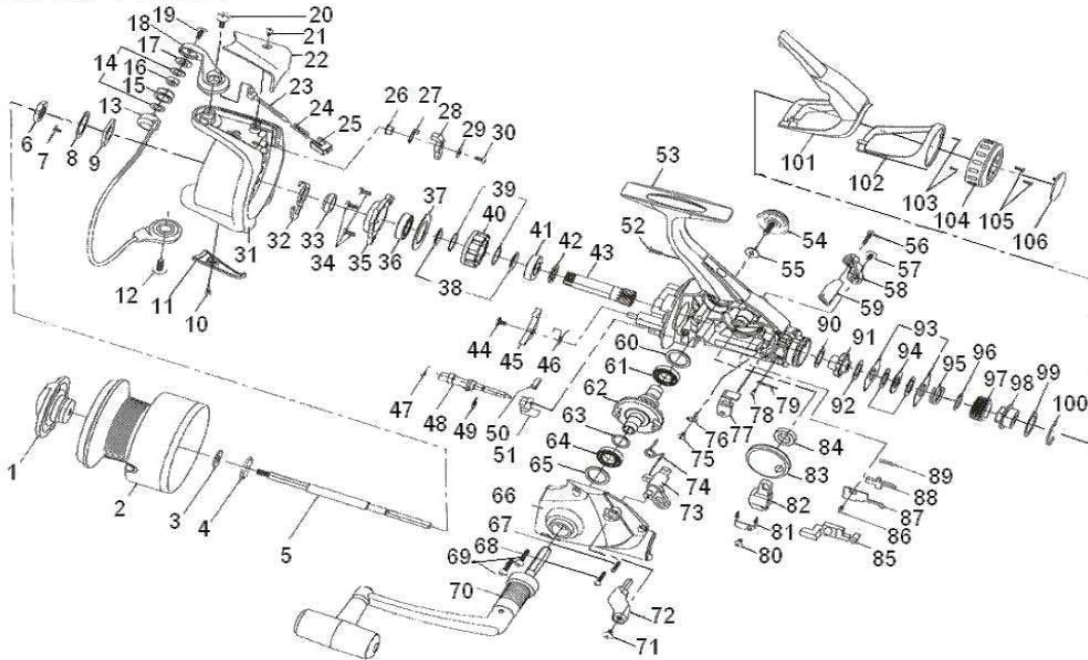


# REGAL 4500/5000BRI



Key No.	Parts No.	Parts Name	Key No.	Parts No.	Parts Name	Key No.	Parts No.	Parts Name
1	W36-9501	FRONT DRAG KNOB	37	W49-7501	BEARING RET COLLAR	74	W49-9301	CLUTCH CAM SPRING
2	W50-2101	SPOOL	38	W39-2401	COLLAR	75	W49-9401	CLICK LEAF SPRING A SCREW
3	W36-9301	SPOOL WASHER	39	W34-1501	ROLLER CLUTCH WASHER	76	W49-9501	CLICK LEAF SPRING A
4	W36-9201	CLICK GEAR	40	W49-7601	ROLLER CLUTCH	77	W49-9601	OSC PLT
5	W49-6501	MAIN SHAFT	41	W50-2201	BUSHING	78	W49-9701	CLICK LEAF SPRING B SCREW
6	W30-8701	ROTOR NUT	42	W39-1801	PINION WASHER	79	W49-2601	CLICK LEAF SPRING B
7	W36-8901	ROTOR NUT HOLD PLT SCREW	43	W49-7701	PINION GEAR	80	W38-5501	OSC SLIDER RET SCREW
8	W30-6501	ROTOR NUT HOLD PLT	44	W39-1401	A/R PAWL SCREW	81	W49-9801	OSC SLIDER RET
9	W30-8201	ROTOR NUT COLLAR	45	W39-1301	A/R PAWL	82	W49-9901	OSC SLIDER
10	W49-6601	BAIL HOLDER COVER SCREW	46	W39-1201	A/R PAWL SPRING B	83	W30-5401	OSC GEAR
11	W39-3702	BAIL HOLDER COVER	47	W34-1901	A/R CAM SPRING	84	W30-5601	OSC GEAR COLLAR
12	W36-8601	BAIL HOLDER SCREW	48	W49-7801	A/R CAM	85	W50-0001	CLUTCH PLT RET
13	W49-6802	BAIL	49	W49-0801	A/R CAM RET	86	W49-3401	CLUTCH PLT SCREW
14	W45-6601	LINE ROLLER WASHER	50	W49-7901	A/R LEVER SPRING	87	W50-0101	CLUTCH PLT
15	W36-8101	LINE ROLLER	51	W49-8001	A/R LEVER	88	W50-0201	CLUTCH TRIP LEVER
16	W36-1951	LINE ROLLER BUSHING	52	W34-0401	REAR COVER A SCREW	89	W50-0301	CLUTCH TRIP LEVER SPRING
17	W33-8202	LINE ROLLER COLLAR	53	W49-8102	BODY	90	W50-0401	DRAG METAL A WASHER
18	W49-7002	BAIL ARM	54	W46-5301	HANDLE SCREW	91	W50-0501	DRAG METAL A
19	W33-8301	LINE ROLLER SCREW	55	W30-6401	HANDLE SCREW WASHER	92	W50-0601	DRAG WASHER
20	W36-8601	BAIL ARM SCREW	56	W49-8201	CLUTCH LEVER SCREW A	93	W50-0701	EARED WASHER
21	W49-6601	BAIL SPRING COVER SCREW	57	W30-9401	CLUTCH LEVER SCREW B	94	W50-0801	KEY WASHER
22	W39-3402	BAIL SPRING COVER	58	W49-8302	CLUTCH LEVER A	95	W50-0901	DRAG COIL SPRING
23	W39-3301	BAIL SPRING SHAFT	59	W49-8401	CLUTCH LEVER BRIDGE	96	W50-1001	DRAG COIL SPRING WASHER
24	W39-3201	BAIL SPRING	60, 65	W49-8501	BALL BEARING WASHER	97	W50-1101	DRAG SCREW
25	W39-3101	BAIL SPRING HOLDER	61	W49-8601	BALL BEARING B	98	W50-1201	DRAG METAL B
26	W39-2801	BAIL TRIP LEVER COLLAR	62	W49-8701	DRIVE GEAR	99	W50-1301	DRAG METAL B WASHER
27	W31-1701	BAIL TRIP LEVER SPRING	63	W49-8801	DRIVE GEAR WASHER	100	W50-1401	DRAG SCREW RET
28	W39-2901	BAIL TRIP LEVER	64	W49-8601	BALL BEARING C	101	W50-1502	REAR COVER A
29	W46-4501	BAIL TRIP LEVER WASHER	66	W49-8902	SIDE COVER	102	W50-1602	REAR COVER B
30	W39-3001	BAIL TRIP LEVER SCREW	67	W34-3201	SIDE COVER SCREW A	103	W49-5001	REAR COVER B SCREW
31	W49-7102	ROTOR	68	W34-3101	SIDE COVER SCREW B	104	W50-1702	DRAG KNOB
32	W39-2601	A/R PAWL SPRING A	69	W36-3401	SIDE COVER SCREW C	105	W33-6301	DRAG KNOB SCREW
33	W49-7201	A/R PAWL COLLAR	70	W50-2301	HANDLE	106	W50-1802	DRAG KNOB SCREW CAP
34	W39-0301	BEARING RET SCREW	71	W40-2401	CLUTCH LEVER SCREW C			
35	W49-7301	BEARING RET	72	W49-9102	CLUTCH LEVER B			
36	W49-7401	BALL BEARING A	73	W49-9201	CLUTCH CAM			

**5000BRI Special Parts**

2 W50-2401 SPOOL