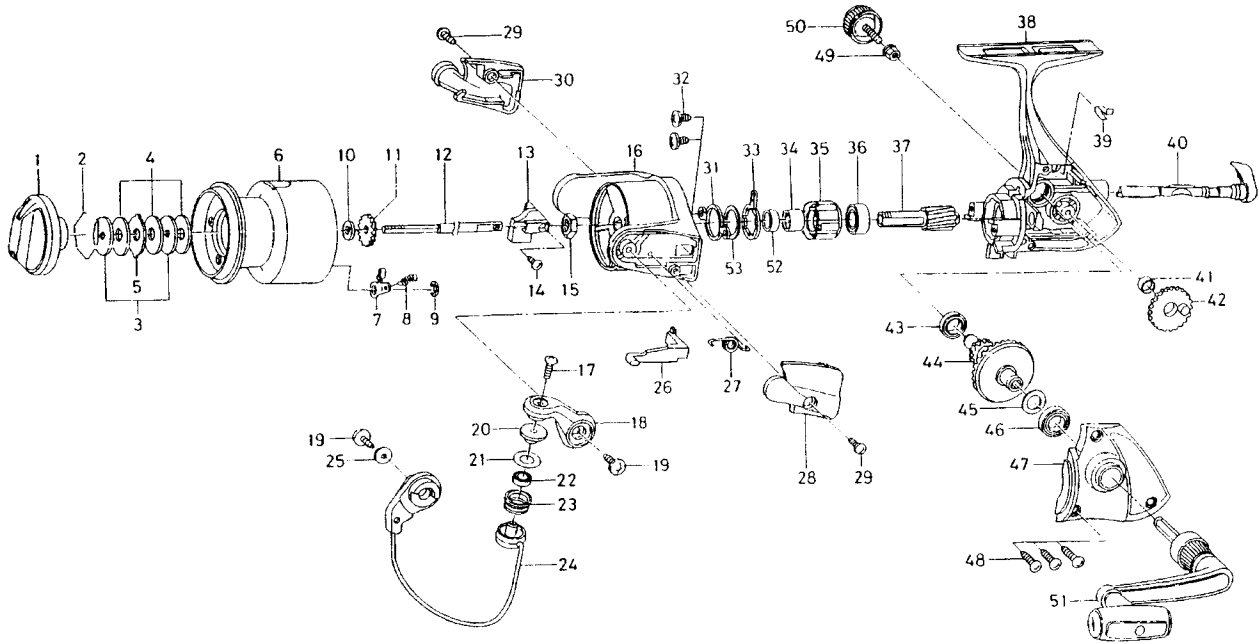


REGAL-Z3500iA / 4000iA



Key No.

Parts No. Parts Name

| | | |
|-----|----------|-------------------------|
| 2-9 | F74-8501 | SPOOL |
| 1 | F75-0101 | DRAG KNOB |
| 2 | F37-3301 | DRAG WASHER RET |
| 3 | F09-4901 | KEY WASHER |
| 4 | E13-6001 | DRAG WASHER |
| 5 | 373-3603 | EARED WASHER |
| 7 | B07-5304 | CLICK PAWL |
| 8 | E40-3101 | CLICK SPRING |
| 9 | 320-5901 | CLICK RET |
| 10 | F09-4701 | SPOOL WASHER |
| 11 | E46-2701 | CLICK GEAR |
| 12 | F74-8001 | MAIN SHAFT |
| 13 | F74-7901 | OSC SLIDER |
| 14 | 352-1502 | OSC SLIDER SCREW |
| 15 | 340-6602 | ROTOR NUT |
| 16 | F41-6109 | ROTOR |
| 17 | F67-7901 | LINE ROLLER SCREW |
| 18 | F45-2302 | BAIL ARM |
| 19 | B84-2102 | BAIL HOLDER SCREW |
| 20 | F44-6302 | LINE ROLLER COLLAR |
| 21 | F44-6202 | LINE ROLLER WASHER |
| 22 | F05-5601 | BALL BEARING A |
| 23 | F45-4902 | LINE ROLLER |
| 24 | F60-3505 | BAIL |
| 25 | F40-1001 | BAIL HOLDER WASHER |
| 26 | E46-2101 | BAIL TRIP LEVER |
| 27 | F80-0701 | BAIL SPRING |
| 28 | F31-4314 | BAIL SPRING COVER |
| 29 | E24-8101 | BAIL SPRING COVER SCREW |
| 30 | F35-2409 | BAIL TRIP COVER |
| 31 | F83-8601 | BEARING RET |

Key No.

Parts No. Parts Name

| | | |
|----|----------|--------------------|
| 32 | E33-0402 | BEARING RET SCREW |
| 33 | F64-1401 | ROLLER CLUTCH RET |
| 34 | F84-4801 | SPACING SLEEVE A |
| 35 | F64-1201 | ROLLER CLUTCH |
| 36 | L03-6502 | BALL BEARING B |
| 37 | F74-7701 | PINION GEAR |
| 38 | F74-7301 | BODY |
| 39 | F12-2001 | A/R CAM SPRING |
| 40 | F67-6908 | A/R LEVER |
| 41 | F13-1601 | OSC GEAR COLLAR |
| 42 | F74-7801 | OSC GEAR |
| 43 | 631-6901 | BALL BEARING C |
| 44 | E52-0201 | DRIVE GEAR |
| 45 | 373-7808 | DRIVE GEAR WASHER |
| 46 | 631-6901 | BALL BEARING D |
| 47 | F74-8101 | SIDE COVER |
| 48 | B83-5002 | SIDE COVER SCREW |
| 49 | F72-1201 | HANDLE COLLAR |
| 50 | F67-6504 | HANDLE SCREW |
| 51 | F75-2801 | HANDLE |
| 52 | F81-7701 | SPACING SLEEVE B |
| 53 | F83-3100 | BEARING RET WASHER |

RG-Z4000iA Special Parts

Key No.

Parts No. Parts Name

| | | |
|-----|----------|-----------------|
| 2-9 | F74-9501 | SPOOL |
| 16 | F41-6209 | ROTOR |
| 24 | F60-3705 | BAIL |
| 26 | E46-3101 | BAIL TRIP LEVER |