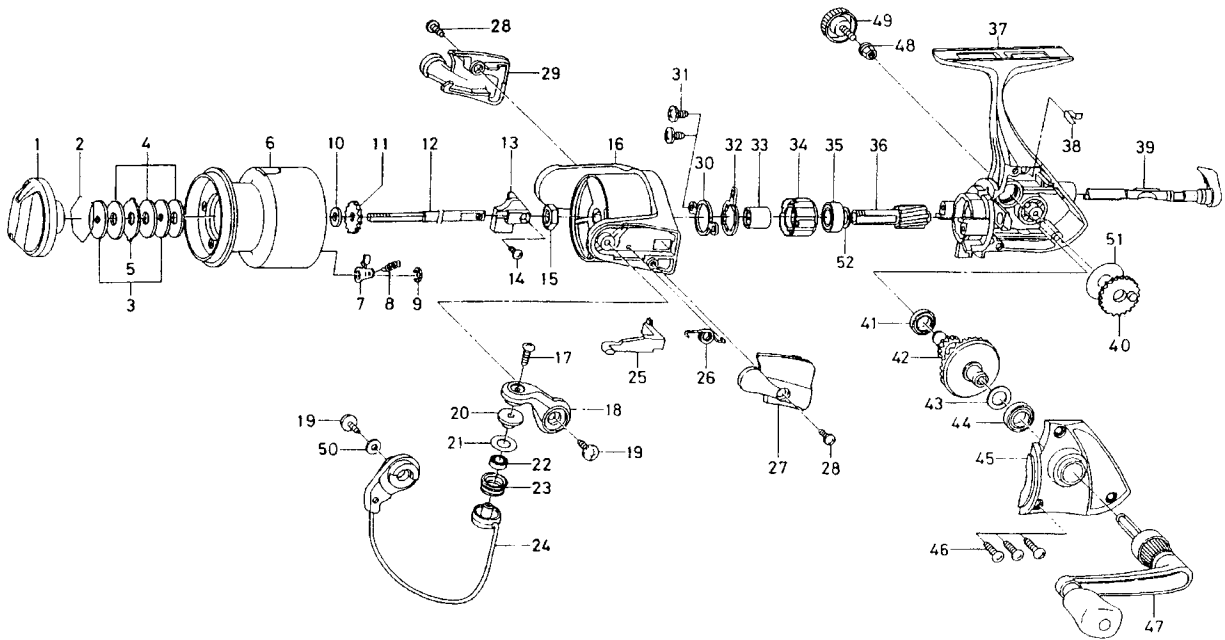


# REGAL-Z2500iA



Key No.	Parts No.	Parts Name	Key No.	Parts No.	Parts Name
2-9	F70-6201	SPOOL	27	F31-0313	BAIL SPRING COVER
1	F77-7601	DRAG KNOB	28	E36-4202	BAIL SPRING COVER SCREW
2	F37-3301	DRAG WASHER RET	29	F35-2309	BAIL TRIP COVER
3	E46-7201	KEY WASHER	30	F67-7301	BEARING RET
4	E13-6001	DRAG WASHER	31	E33-0402	BEARING RET SCREW
5	373-3603	EARED WASHER	32	F62-2201	ROLLER CLUTCH RET
7	B07-5304	CLICK PAWL	33	F67-7201	SPACING SLEEVE
8	E40-3101	CLICK SPRING	34	F62-2001	ROLLER CLUTCH
9	320-5901	CLICK RET	35	L03-6601	BALL BEARING B
10	E46-7101	SPOOL WASHER	36	F67-7101	PINION GEAR
11	270-6501	CLICK GEAR	37	F70-5801	BODY
12	F45-4501	MAIN SHAFT	38	F12-2001	A/R CAM SPRING
13	F67-7502	OSC SLIDER	39	F67-6911	A/R LEVER
14	351-0315	OSC SLIDER SCREW	40	F67-7401	OSC GEAR
15	F33-6102	ROTOR NUT	41	E30-6801	BALL BEARING C
16	F41-6309	ROTOR	42	F17-0001	DRIVE GEAR
17	F67-7901	LINE ROLLER SCREW	43	373-7808	DRIVE GEAR WASHER
18	F45-2302	BAIL ARM	44	631-6901	BALL BEARING D
19	B84-2102	BAIL ARM SCREW	45	F67-7601	SIDE COVER
20	F44-6302	LINE ROLLER COLLAR	46	B00-9701	SIDE COVER SCREW
21	F44-6202	LINE ROLLER WASHER	47	F70-6101	HANDLE
22	F05-5601	BALL BEARING A	48	F72-1001	HANDLE COLLAR
23	F45-4902	LINE ROLLER	49	F67-6504	HANDLE SCREW
24	F60-3306	BAIL	50	F40-1001	BAIL HOLDER WASHER
25	E45-1601	BAIL TRIP LEVER	51	F76-7701	OSC GEAR WASHER
26	F80-0701	BAIL SPRING	52	375-8504	PINION WASHER