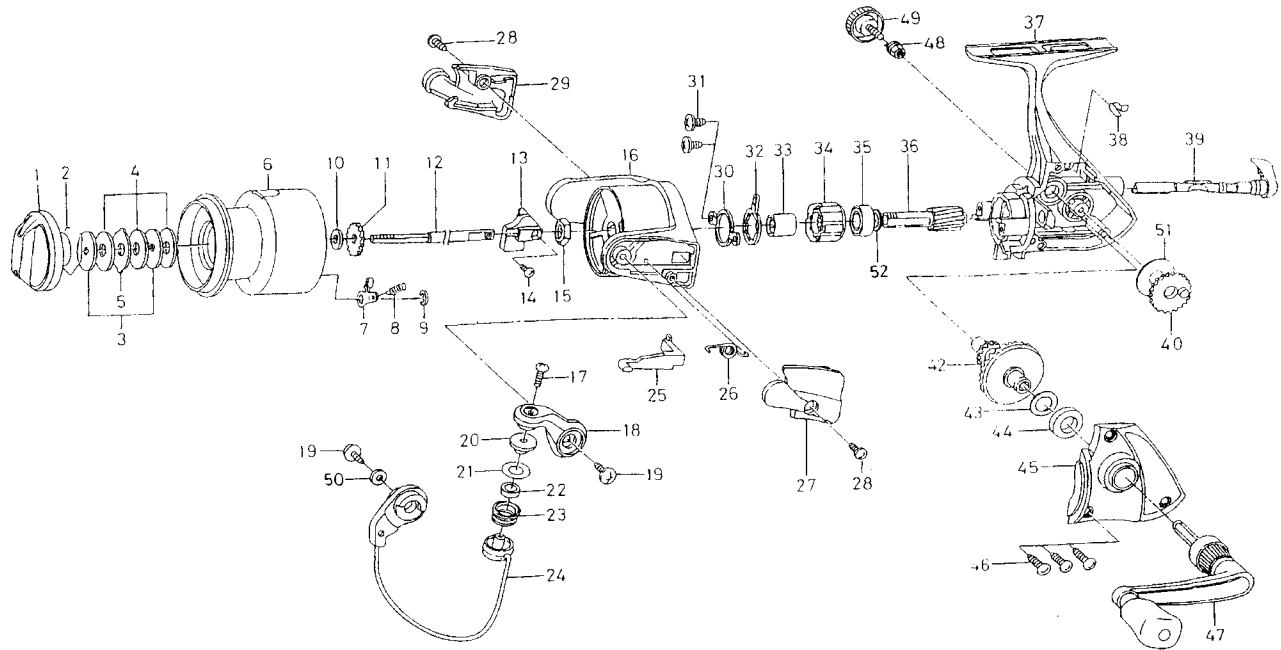


REGAL-S2500i



| Key No. | Parts No. | Parts Name |
|---------|-----------|---------------------|
| 2-9 | F75-2101 | SPOOL |
| 1 | F77-7605 | DRAG KNOB |
| 2 | F37-3301 | DRAG WASHER RET |
| 3 | E46-7201 | KEY WASHER |
| 4 | E13-6001 | DRAG WASHER |
| 5 | 373-3603 | EARED WASHER |
| 7 | B07-5304 | CLICK PAWL |
| 8 | E40-3101 | CLICK SPRING |
| 9 | 320-5901 | CLICK RET |
| 10 | E46-7101 | SPOOL WASHER |
| 11 | 270-6501 | CLICK GEAR |
| 12 | F45-4501 | MAIN SHAFT |
| 13 | F67-7502 | OSC SLIDER |
| 14 | 351-0315 | OSC SLIDER SCREW |
| 15 | F33-6102 | ROTOR NUT |
| 16 | F41-6316 | ROTOR |
| 17 | F67-7901 | LINE ROLLER SCREW |
| 18 | F45-2302 | BAIL ARM |
| 19 | B84-2102 | BAIL HOLDER SCREW |
| 20 | F44-6302 | LINE ROLLER COLLAR |
| 21 | F44-6202 | LINE ROLLER WASHER |
| 22 | F47-3401 | LINE ROLLER BUSHING |
| 23 | F47-2402 | LINE ROLLER |
| 24 | F60-3306 | BAIL |
| 25 | E45-1601 | BAIL TRIP LEVER |
| 26 | F80-0701 | BAIL SPRING |

| Key No. | Parts No. | Parts Name |
|---------|-----------|-------------------------|
| 27 | F31-0323 | BAIL SPRING COVER |
| 28 | E36-4202 | BAIL SPRING COVER SCREW |
| 29 | F35-2317 | BAIL TRIP COVER |
| 30 | F67-7301 | BEARING RET |
| 31 | E33-0402 | BEARING RET SCREW |
| 32 | F62-2201 | ROLLER CLUTCH RET |
| 33 | F67-7201 | SPACING SLEEVE |
| 34 | F62-2001 | ROLLER CLUTCH |
| 35 | L03-6601 | BALL BEARING |
| 36 | F67-7101 | PINION GEAR |
| 37 | F75-1002 | BODY |
| 38 | F12-2001 | A/R CAM SPRING |
| 39 | F67-6906 | A/R LEVER |
| 40 | F67-7401 | OSC GEAR |
| 42 | F17-0001 | DRIVE GEAR |
| 43 | 373-7808 | DRIVE GEAR WASHER |
| 44 | F62-6701 | SIDE COVER BUSHING |
| 45 | F75-1102 | SIDE COVER |
| 46 | B00-9701 | SIDE COVER SCREW |
| 47 | F75-2001 | HANDLE |
| 48 | F72-1001 | HANDLE COLLAR |
| 49 | F67-6503 | HANDLE SCREW |
| 50 | F40-1001 | BAIL HOLDER WASHER |
| 51 | F76-7701 | OSC GEAR WASHER |
| 52 | 375-8504 | PINION WASHER |