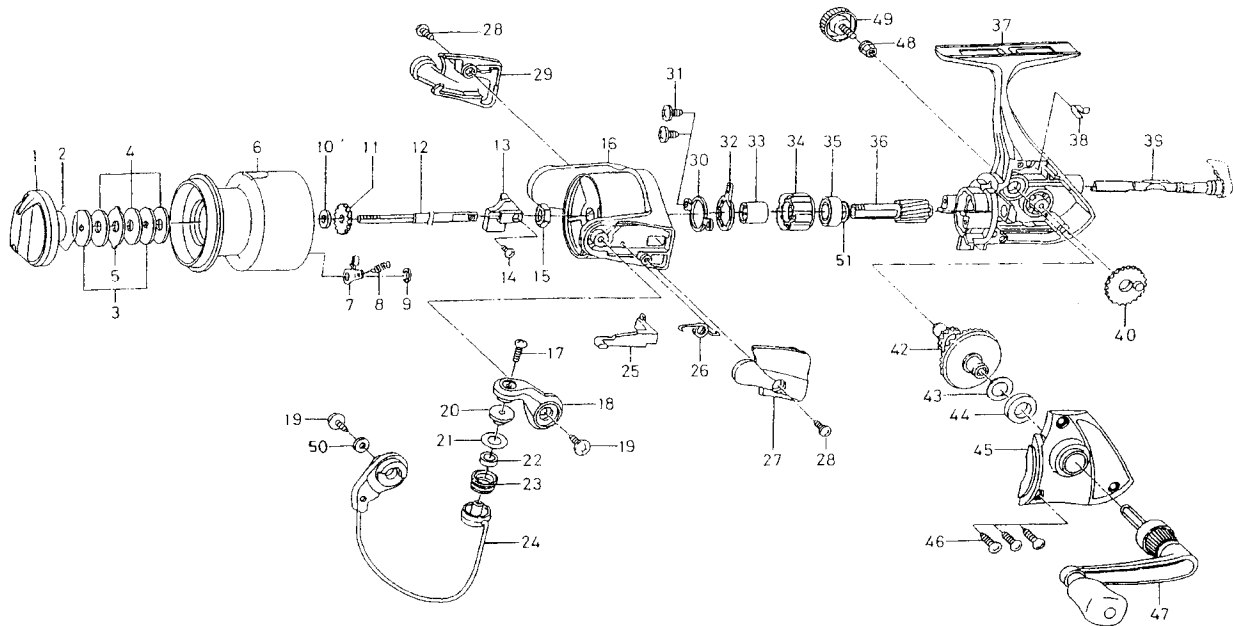


REGAL-S1500i / 2000i



Key No.	Parts No.	Parts Name
2-9	F75-2501	SPOOL
1	F71-8703	DRAG KNOB
2	F37-3301	DRAG WASHER RET
3	E46-7201	KEY WASHER
4	E13-6001	DRAG WASHER
5	373-3603	EARED WASHER
7	B07-5304	CLICK PAWL
8	E40-3101	CLICK SPRING
9	320-5901	CLICK RET
10	E46-7101	SPOOL WASHER
11	270-6501	CLICK GEAR
12	F68-6701	MAIN SHAFT
13	F68-6602	OSC SLIDER
14	351-0311	OSC SLIDER SCREW
15	F33-6102	ROTOR NUT
16	F68-7107	ROTOR
17	F67-7901	LINE ROLLER SCREW
18	F69-1201	BAIL ARM
19	B84-2102	BAIL ARM SCREW
20	F44-6302	LINE ROLLER COLLAR
21	F44-6202	LINE ROLLER WASHER
22	F47-3401	LINE ROLLER BUSHING
23	F47-2402	LINE ROLLER
24	F74-1301	BAIL
25	E49-6401	BAIL TRIP LEVER
26	F77-7901	BAIL SPRING
27	F69-3108	BAIL SPRING COVER
28	E24-8101	BAIL SPRING COVER SCREW
29	F32-6317	BAIL TRIP COVER

Key No.	Parts No.	Parts Name
30	F67-7301	BEARING RET
31	E24-8101	BEARING RET SCREW
32	F62-2201	ROLLER CLUTCH RET
33	F67-7201	SPACING SLEEVE
34	F62-2001	ROLLER CLUTCH
35	634-1301	BALL BEARING
36	F68-6501	PINION GEAR
37	F75-1502	BODY
38	F12-2001	A/R CAM SPRING
39	F67-6913	A/R LEVER
40	F69-1701	OSC GEAR
42	F12-1501	DRIVE GEAR
43	375-8502	DRIVE GEAR WASHER
44	F68-2701	SIDE COVER BUSHING
45	F75-1702	SIDE COVER
46	E13-0501	SIDE COVER SCREW
47	F75-2002	HANDLE
48	F72-1001	HANDLE COLLAR
49	F67-6503	HANDLE SCREW
50	F40-1001	BAIL HOLDER SCREW
51	375-8504	PINION WASHER

RG-S2000i Special Parts

Key No.	Parts No.	Parts Name
2-9	F75-2301	SPOOL
16	F68-7907	ROTOR
24	F74-1601	BAIL
25	E49-6501	BAIL TRIP LEVER