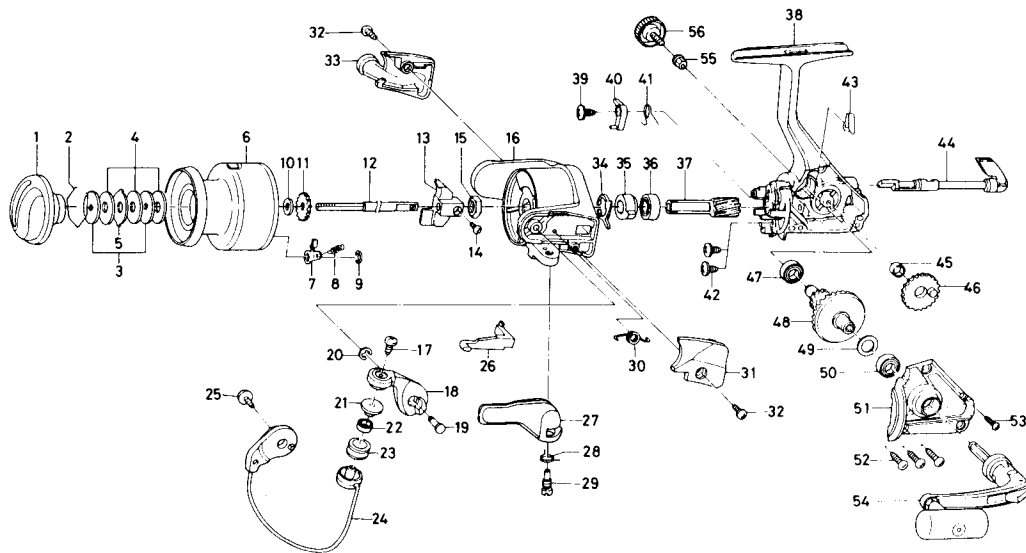


SPINNING REEL REGAL-Z3505BL



**Key Parts No.
NO.**

Key Parts No. NO.	Parts Name
2-9	F33-8303 Spool assembly
1	F28-7003 Drag knob
2	171-7701 Drag washer retainer
3	F09-4901 Key washer
4	E13-6003 Drag washer
5	373-3603 Eared washer
6	F33-8203 Spool assembly
7	B07-5304 Click pawl
8	E40-3101 Click spring
9	320-5901 Click retainer
10	F09-4701 Spool washer
11	E46-2701 Click gear
12	E48-5301 Main shaft
13	F09-1301 Oscillating slider
14	352-1502 Oscillating slider screw
15	340-6602 Rotor nut
16	F33-3503 Rotor
17	B67-9304 Line roller screw
18	F17-9800 Bail arm
19	E49-3501 Bail arm screw
20	320-5901 Bail arm screw retainer
21	F06-6301 Line roller collar
22	F05-5601 Ball bearing A
23	F05-8901 Line roller
24	F33-4001 Bail assembly
25	B84-2102 Bail trip cam screw
26	E46-2101 Bail trip lever
27	F18-0003 Trigger lever
28	E36-9901 Trigger spring

**Key Parts No.
NO.**

Key Parts No. NO.	Parts Name
29	E41-7801 Trigger screw
30	F12-8901 Bail spring
31	F31-4503 Bail spring cover
32	E24-8101 Bail spring cover screw
33	F31-4603 Bail trip cover
34	E46-2001 Anti-reverse pawl spring A
35	F11-1301 Anti-reverse ratchet
36	L03-6502 Ball bearing B
37	E52-0101 Pinion gear
38	F37-9503 Body assembly
39	E00-7101 Anti-reverse pawl screw
40	E46-1302 Anti-reverse pawl
41	E46-1201 Anti-reverse pawl spring B
42	E03-7801 Bearing retainer screw
43	E32-7801 Anti-reverse cam spring
44	F08-5125 Anti-reverse lever
45	F13-1601 Oscillating gear collar
46	F24-6601 Oscillating gear
47	631-6901 Ball bearing C
48	E52-0201 Drive gear
49	373-7802 Drive gear washer
50	631-6901 Ball bearing C
51	F37-9803 Side cover
52	B83-5002 Side cover screw A
53	E15-8602 Side cover screw B
54	F33-3401 Handle assembly
55	E12-7501 Handle collar
56	F03-5605 Handle lock screw