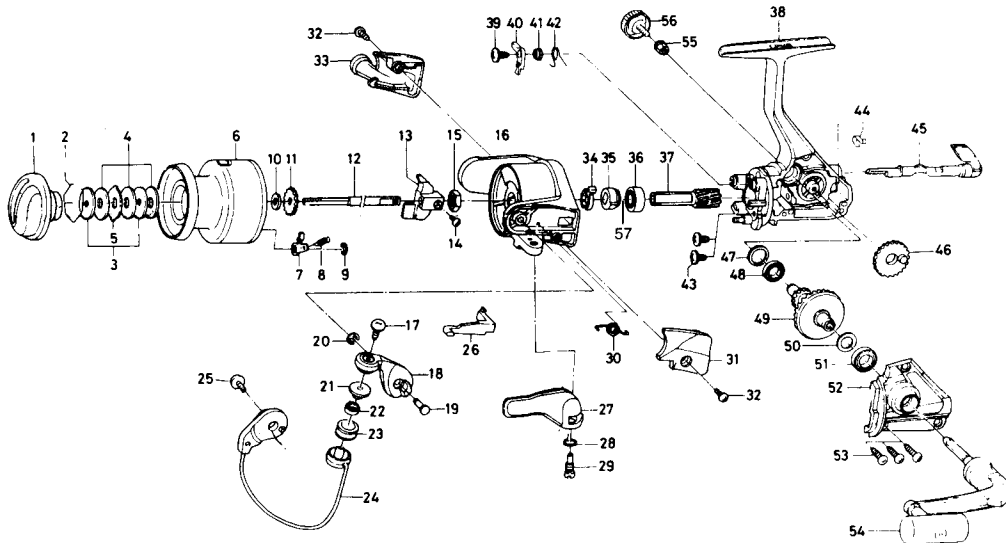


SPINNING REEL REGAL-Z1505BL



Key NO.	Parts No.	Parts Name	Key NO.	Parts No.	Parts Name
2-9	F33-0603	Spool assembly	30	E49-6801	Bail spring
1	F32-8503	Drag knob	31	F32-4103	Bail spring cover
2	F37-3301	Drag washer retainer	32	E24-8101	Bail spring cover screw
3	E46-7201	Key washer	33	F32-6503	Bail trip cover
4	E13-6001	Drag washer	34	F12-2101	Anti-reverse pawl spring A
5	373-3603	Eared washer	35	E49-8501	Anti-reverse ratchet
6	F33-0703	Spool assembly	36	634-1301	Ball bearing B
7	B07-5304	Click pawl	37	F12-1601	Pinion gear
8	E40-3101	Click spring	38	F33-1302	Body assembly
9	320-5901	Click retainer	39	F12-5701	Anti-reverse pawl screw
10	E46-7101	Spool washer	40	F12-1901	Anti-reverse pawl
11	270-6501	Click gear	41	F12-3501	Anti-reverse pawl collar
12	E49-8401	Main shaft	42	F12-3401	Anti-reverse pawl spring B
13	F12-2301	Oscillating slider	43	E03-7801	Bearing retainer screw
14	351-0311	Oscillating slider screw	44	F12-2001	Anti-reverse cam spring
15	341-9201	Rotor nut	45	F08-5123	Anti-reverse lever
16	F33-1403	Rotor	46	F12-2201	Oscillating gear
17	B67-9306	Line roller screw	47	E50-5801	Bearing washer
18	F17-3103	Bail arm	48	E30-6801	Ball bearing C
19	E49-3501	Bail arm screw	49	F12-1501	Drive gear
20	320-5901	Bail arm screw retainer	50	375-8502	Drive gear washer
21	F06-6301	Line roller collar	51	634-1301	Ball bearing B
22	F05-5601	Ball bearing A	52	F33-1002	Side cover
23	F05-8901	Line roller	53	E15-8602	Side cover screw
24	F33-1701	Bail assembly	54	F33-1201	Handle assembly
25	B84-2102	Bail trip cam screw	55	501-8501	Handle collar
26	E49-6401	Bail trip lever	56	B92-5006	Handle lock screw
27	E49-3405	Trigger lever	57	375-8502	Pinion washer
28	E36-9901	Trigger spring			
29	E37-0002	Trigger screw			