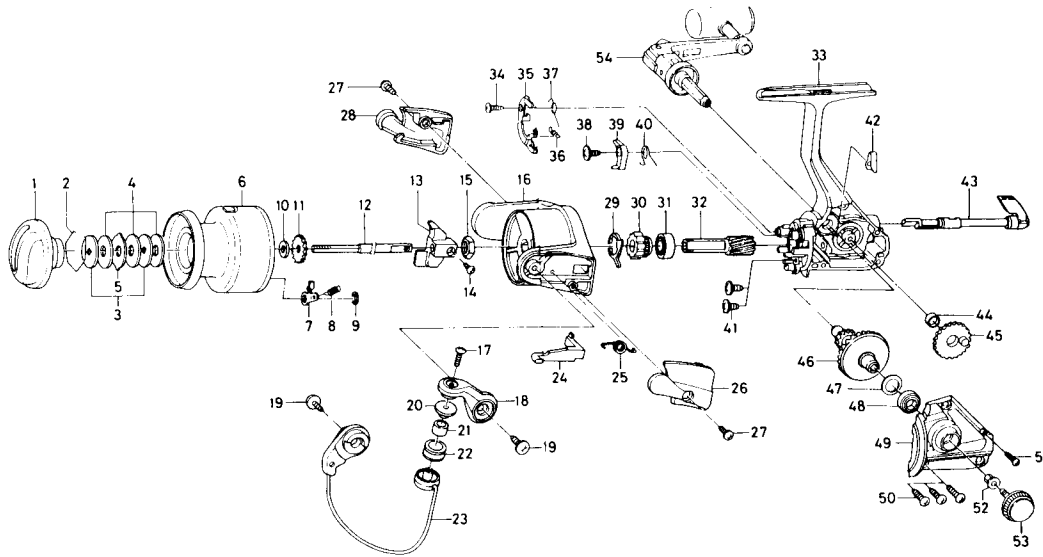


# SPINNING REEL REGAL-X3500-2B/4000-2B



Key NO.	Parts No.	Parts Name
2-9	E52-0504	Spool assembly
1	F32-9502	Drag knob
2	171-7701	Drag washer retainer
3	F09-4901	Key washer
4	E13-6003	Drag washer
5	373-3603	Eared washer
6	E52-0602	Spool assembly
7	B07-5304	Click pawl
8	E40-3101	Click spring
9	320-5901	Click retainer
10	F09-4701	Spool washer
11	E46-2701	Click gear
12	E48-5301	Main shaft
13	F09-1301	Oscillating slider
14	352-1502	Oscillating slider screw
15	340-6602	Rotor nut
16	F32-9202	Rotor
17	B67-9304	Line roller screw
18	F31-0202	Bail arm
19	B84-2102	Bail arm screw
20	F06-6301	Line roller collar
21	E50-5901	Line roller bushing
22	E50-6001	Line roller
23	F32-8902	Bail assembly
24	E46-2101	Bail trip lever
25	F12-8901	Bail spring
26	F31-4302	Bail spring cover
27	E24-8101	Bail spring cover screw
28	F31-4402	Bail trip cover
29	E46-2001	Anti-reverse pawl spring A

Key NO.	Parts No.	Parts Name
30	F31-9801	Anti-reverse ratchet
31	L03-6502	Ball bearing A
32	E52-0101	Pinion gear
33	F33-2901	Body assembly
38	E00-7101	Anti-reverse pawl screw
39	E46-1302	Anti-reverse pawl
40	E46-1201	Anti-reverse pawl spring B
41	E03-7801	Bearing retainer screw
42	E32-7801	Anti-reverse cam spring
43	F08-5109	Anti-reverse lever
44	F13-1601	Oscillating gear collar
45	E46-1501	Oscillating gear
46	E52-0201	Drive gear
47	373-7802	Drive gear washer
48	631-6901	Ball bearing B
49	F37-9701	Side cover
50	B83-5002	Side cover screw A
51	E15-8602	Side cover screw B
52	E12-7501	Handle collar
53	B92-5001	Handle lock screw
54	F33-5401	Handle assembly

**X4000-2B Special parts**

2-9	E52-0704	Spool assembly
6	E52-0802	Spool assembly
16	F33-4802	Rotor
23	F33-4602	Bail assembly
24	E46-3101	Bail trip lever
33	F33-2903	Body assembly
49	F37-9702	Side cover