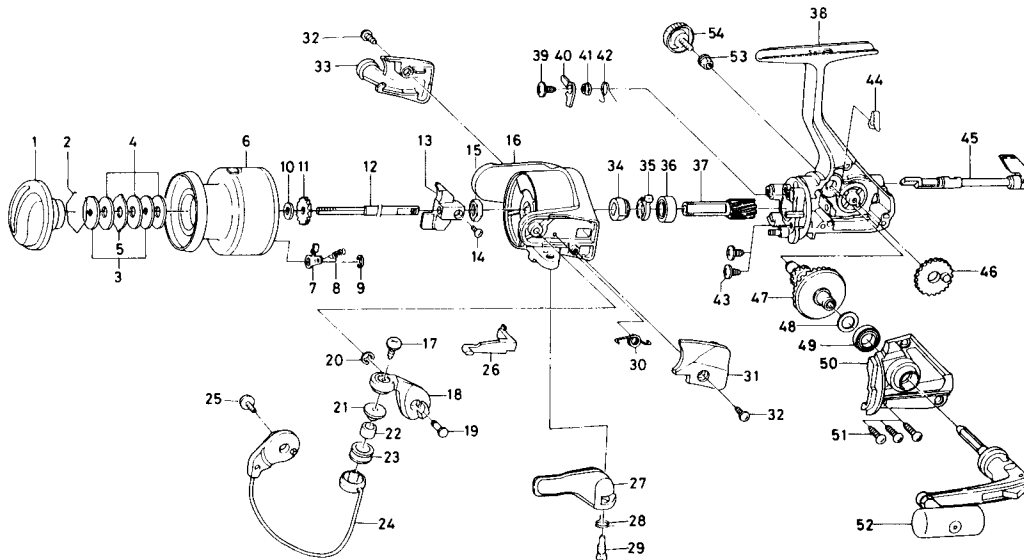


SPINNING REEL REGAL-X2505-2B



Key NO.	Parts No.	Parts Name	Key NO.	Parts No.	Parts Name
2-9	E52-0304	Spool assembly	31	F31-0502	Bail spring cover
1	F32-2102	Drag knob	32	E24-8101	Bail spring cover screw
2	171-7701	Drag washer retainer	33	F31-0602	Bail trip cover
3	E46-7201	Key washer	34	E49-2401	Anti-reverse ratchet
4	E13-6003	Drag washer	35	E38-5501	Anti-reverse pawl spring A
5	373-3603	Eared washer	36	L03-6601	Ball bearing A
6	E52-0402	Spool assembly	37	E51-9801	Pinion gear
7	B07-5304	Click pawl	38	F32-5802	Body assembly
8	E40-3101	Click spring	39	L00-1801	Anti-reverse pawl screw
9	320-5901	Click retainer	40	L01-4401	Anti-reverse pawl
10	E46-7101	Spool washer	41	L01-4302	Anti-reverse pawl collar
11	270-6501	Click gear	42	L00-1501	Anti-reverse pawl spring B
12	E48-4301	Main shaft	43	E03-7801	Bearing retainer screw
13	E45-1401	Oscillating slider	44	E32-7801	Anti-reverse cam spring
14	351-0315	Oscillating slider screw	45	F08-5110	Anti-reverse lever
15	341-9201	Rotor nut	46	E45-1301	Oscillating gear
16	F32-1002	Rotor	47	F17-0001	Drive gear
17	B67-9304	Line roller screw	48	373-7802	Drive gear washer
18	F17-9801	Bail arm	49	631-6901	Ball bearing B
19	E49-3501	Bail arm screw	50	F32-5902	Side cover
20	320-5901	Bail arm screw retainer	51	B83-5002	Side cover screw
21	F06-6301	Line roller collar	52	F32-5402	Handle assembly
22	E50-5901	Line roller bushing	53	501-8501	Handle collar
23	E50-6001	Line roller	54	B92-5001	Handle lock screw
24	F32-7101	Bail assembly			
25	B84-2102	Bail trip cam screw			
26	E45-1601	Bail trip lever			
27	F18-0001	Trigger lever			
28	E36-9901	Trigger spring			
29	E37-0003	Trigger screw			
30	F12-8901	Bail spring			