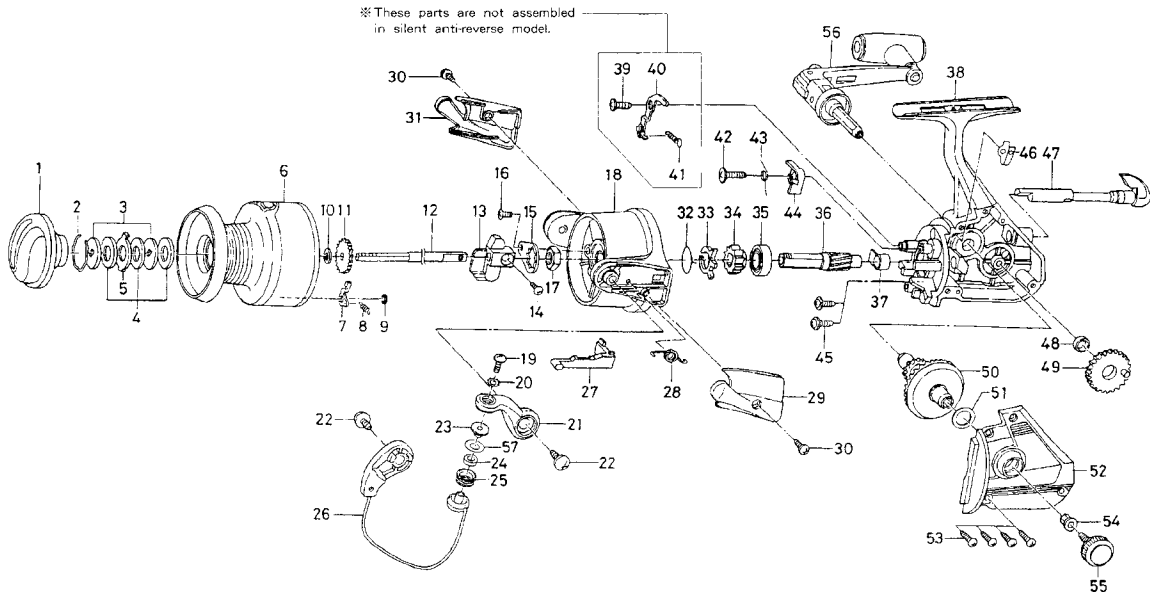


SPINNING REEL

RG-S4500T/S5000T



RG-S4500T

| KEY NO. | PART NO. | PART NAME |
|---------|----------|--------------------------|
| 2-9 | F54-4301 | SPOOL |
| 1 | F36-9806 | DRAG KNOB |
| 2 | 171-7701 | DRAG WASHER RET |
| 3 | L03-1301 | KEY WASHER |
| 4 | 373-3711 | DRAG WASHER |
| 5 | B89-9501 | EARED WASHER |
| 7 | B07-8201 | CLICK PAWL |
| 8 | 145-2101 | CLICK SPRING |
| 9 | 320-1402 | CLICK RET |
| 10 | F09-4701 | SPOOL WASHER |
| 11 | L02-1401 | CLICK GEAR |
| 12 | L10-7301 | MAIN SHAFT |
| 13 | L10-6601 | OSC SLIDER |
| 14 | 351-8901 | OSC SLIDER SCREW |
| 15 | F58-9801 | ROTOR NUT HOLD PLT |
| 16 | L01-1702 | ROTOR NUT HOLD PLT SCREW |
| 17 | 340-8301 | ROTOR NUT |
| 18 | F36-8706 | ROTOR |
| 19 | F60-7302 | LINE ROLLER SCREW |
| 21 | F36-9006 | BAIL ARM |
| 22 | E00-7601 | BAIL ARM SCREW |
| 23 | F44-6302 | LINE ROLLER COLLAR |
| 24 | F47-3401 | LINE ROLLER BUSHING |
| 25 | F45-4901 | LINE ROLLER |
| 26 | F57-0401 | BAIL |
| 27 | L10-6901 | BAIL TRIP LEVER |
| 28 | F60-8001 | BAIL SPRING |
| 29 | F36-9106 | BAIL SPRING COVER |
| 30 | E24-8102 | BAIL SPRING COVER SCREW |
| 31 | F36-9506 | BAIL TRIP COVER |
| 32 | F21-2001 | A/R PAWL SPRING A |
| 33 | L06-6801 | A/R PAWL SPRING B |
| 34 | F36-8501 | A/R RATCHET |
| 35 | L03-6401 | BALL BEARING |
| 36 | L10-7701 | PINION GEAR |
| 37 | B88-0001 | PINION COLLAR |

RG-S4500T

| KEY NO. | PART NO. | PART NAME |
|---------|----------|--------------------|
| 38 | E53-8701 | BODY |
| 42 | L06-6501 | A/R PAWL SCREW |
| 43 | L13-7201 | A/R PAWL SPRING C |
| 44 | L06-6301 | A/R PAWL |
| 45 | L01-1601 | BEARING RET SCREW |
| 46 | E01-1801 | A/R CAM SPRING |
| 47 | L10-0701 | A/R LEVER |
| 48 | B47-4101 | OSC GEAR COLLAR |
| 49 | L11-7001 | OSC GEAR |
| 50 | B78-9501 | DRIVE GEAR |
| 51 | 371-2824 | DRIVE GEAR WASHER |
| 52 | E53-8801 | SIDE COVER |
| 53 | B83-5001 | SIDE COVER SCREW |
| 54 | F40-9001 | HANDLE COLLAR |
| 55 | L00-9102 | HANDLE SCREW |
| 56 | F44-0303 | HANDLE |
| 57 | F44-6202 | LINE ROLLER WASHER |

S5000T SPECIAL PARTS

| KEY NO. | PART NO. | PART NAME |
|---------|----------|-----------------|
| 2-9 | F54-4901 | SPOOL |
| 18 | F37-1106 | ROTOR |
| 26 | F57-0601 | BAIL |
| 27 | L10-7101 | BAIL TRIP LEVER |
| 38 | E53-8901 | BODY |
| 52 | E53-8802 | SIDE COVER |