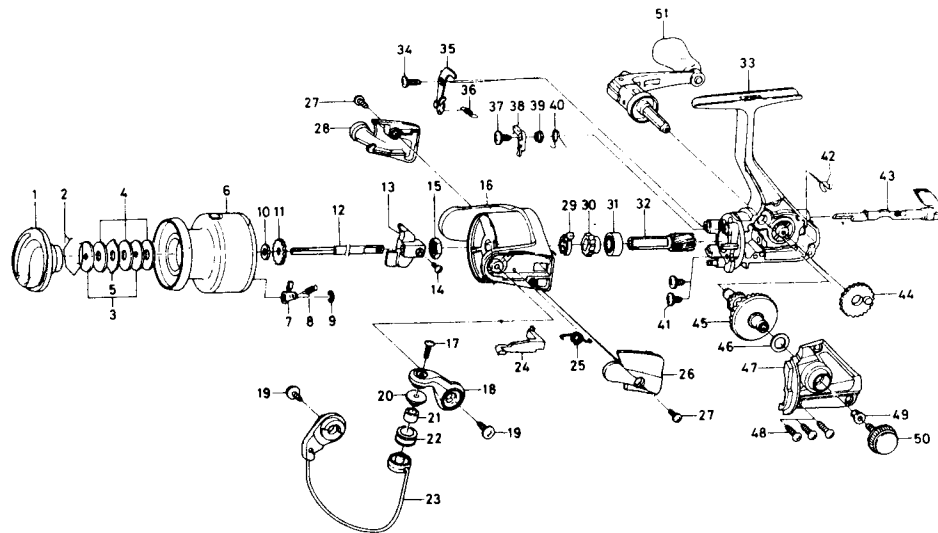


SPINING REEL REGAL-S1500B



Key NO.	Parts No.	Parts Name
2-9	F33-0101	Spool assembly
1	F32-8501	Drag knob
2	F37-3301	Drag washer retainer
3	E46-7201	Key washer
4	E13-6001	Drag washer
5	373-3603	Eared washer
6	F33-0201	Spool assembly
7	B07-5304	Click pawl
8	E40-3101	Click spring
9	320-5901	Click retainer
10	E46-7101	Spool washer
11	270-6501	Click gear
12	E49-8401	Main shaft
13	F12-2301	Oscillating slider
14	351-0311	Oscillating slider screw
15	341-9201	Rotor nut
16	F32-7801	Rotor
17	B67-9306	Line roller screw
18	F32-3001	Bail arm
19	B84-2102	Bail arm screw
20	F06-6301	Line roller collar
21	F31-6801	Line roller bushing
22	E50-6001	Line roller
23	F32-8001	Bail assembly
24	E49-6401	Bail trip lever
25	E49-6801	Bail spring
26	F32-4201	Bail spring cover
27	E24-8101	Bail spring cover screw
28	F32-6301	Bail trip cover
29	F12-2101	Anti-reverse pawl spring A

Key NO.	Parts No.	Parts Name
30	F32-7701	Anti-reverse ratchet
31	634-1301	Ball bearing
32	F12-1601	Pinion gear
33	F33-0001	Body assembly
37	F12-5701	Anti-reverse pawl screw
38	F12-1901	Anti-reverse pawl
39	F12-3501	Anti-reverse pawl collar
40	F12-3401	Anti-reverse pawl spring B
41	E03-7801	Bearing retainer screw
42	F12-2001	Anti-reverse cam spring
43	F08-5122	Anti-reverse lever
44	F12-2201	Oscillating gear
45	F12-1501	Drive gear
46	375-8501	Drive gear washer
47	F32-7601	Side cover
48	E15-8602	Side cover screw
49	501-8501	Handle collar
50	B92-5004	Handle lock screw
51	F32-8201	Handle assembly