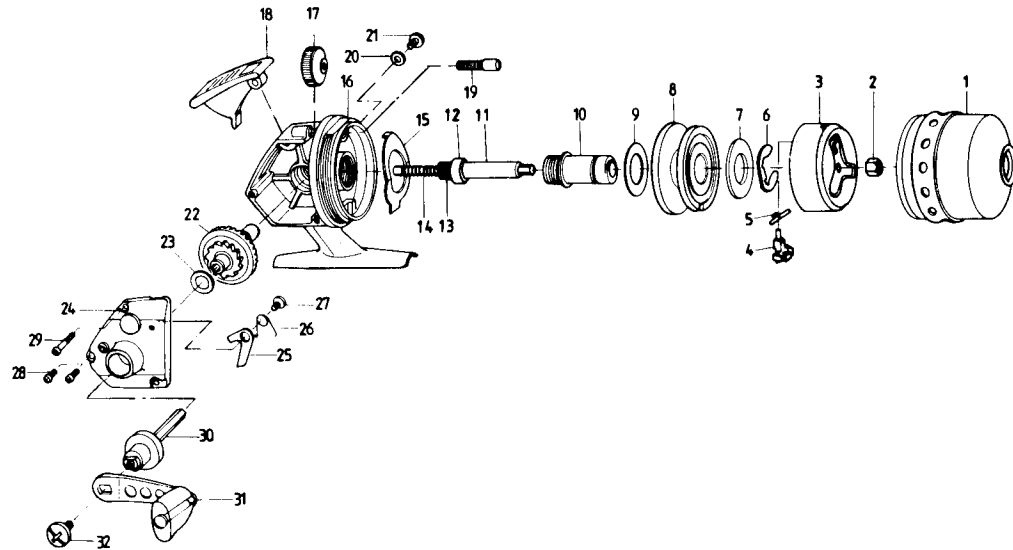


Daiwa

COMMITTED TO TOTAL QUALITY

SPINCASTING REEL RS80RL



Key No.	Parts No.	Parts Name	Key No.	Parts No.	Parts Name
1	B09-2005	Front cover	17	B77-9302	Drag adjusting dial
2	B64-4201	Rotor nut	18	B08-1813	Push button
3	E04-8001	Rotor	19	363-5911	Drag adjusting screw
4	B08-8203	Pick-up pin	20	501-8501	Handle screw holder
5	B71-6101	Pick-up pin spring	21	E04-7802	Handle screw A
6	320-0351	Spool retainer	22	413-5201	Drive gear
7	370-0412	Spool washer	23	370-5150	Drive gear washer
8	E04-7902	Spool	24	062-9909	Body cover
9	370-0412	Spool washer	25	111-7012	Anti-reverse claw
10	K06-8501	Shaft metal	26	144-5111	Anti-reverse claw spring
11	K06-8707	Main shaft	27	351-7703	Anti-reverse claw screw
12	K00-2601	Ball bearing	28	351-1101	Body cover screw (short)
13	402-6401	Pinion gear	29	B08-2201	Body cover screw (long)
14	142-7711	Main shaft spring	30	071-0510	Drive gear shaft
15	151-6501	Drag adjusting plate	31	E04-8701	Handle
16	E04-7302	Body	32	352-1101	Handle screw B