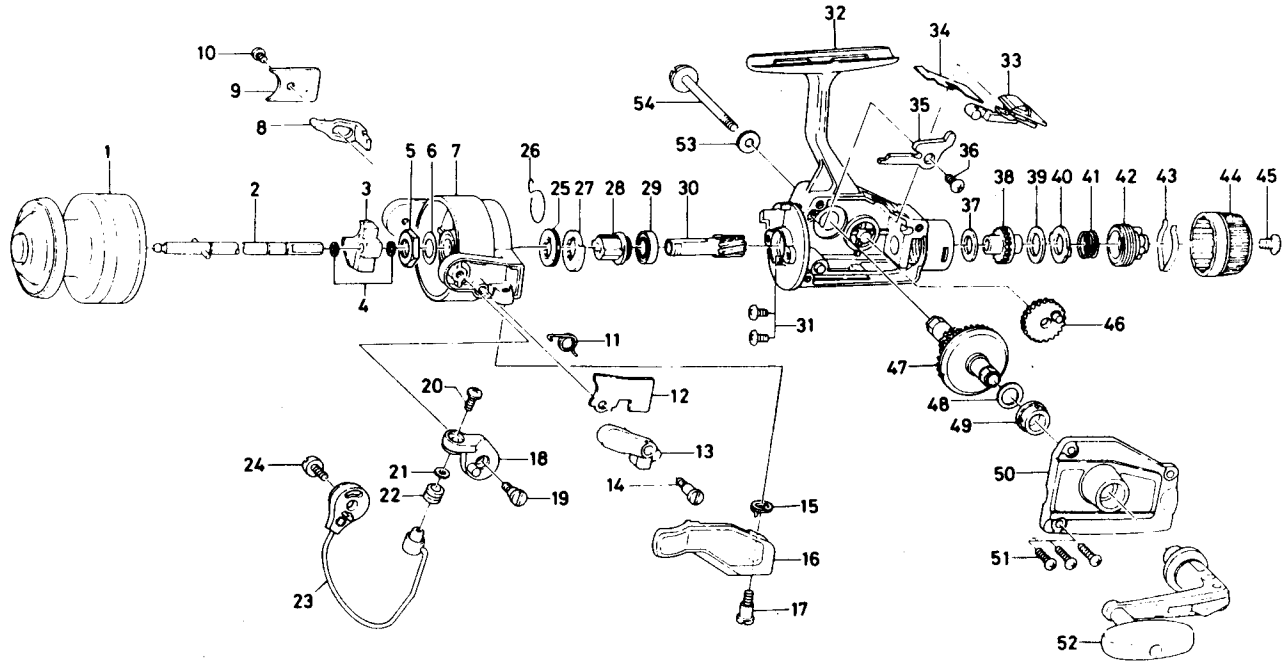


SPINNING REEL RS1655



Key No.	Parts No.	Parts Name
1	B77-3201	Spool
2	B77-0801	Main shaft
3	B77-0701	Oscillating slider
4	320-8202	Oscillating slider retainer
5	341-9201	Rotor nut
6	B27-5401	Rotor washer
7	B82-1503	Rotor
8	B77-3701	Bail trip lever
9	B76-9701	Bail trip cover
10	352-0402	Bail trip cover screw
11	B76-9101	Bail spring
12	B76-9201	Bail spring cover
13	B76-9301	Trigger plate
14	B68-8801	Bail spring cover screw A
15	B67-5201	Trigger spring
16	B67-5106	Trigger lever
17	B68-8801	Trigger screw
18	B67-4601	Bail arm
19	B67-4701	Bail arm screw
20	B67-9301	Line roller screw
21	B55-4301	Line roller washer
22	250-3921	Line roller
23	B77-3001	Bail
24	B68-8701	Bail trip cam screw
25	B89-8701	Spring holder
26	B89-8801	Anti-reverse pawl spring
27	B76-8901	Anti-reverse ratchet

Key No.	Parts No.	Parts Name
28	B82-6602	Pinion spacer
29	634-1301	Ball bearing
30	B82-6501	Pinion gear
31	351-7703	Ball bearing screw
32	K00-8701	Body
33	B84-8901	Anti-reverse lever
34	B79-0101	Anti-reverse cam spring
35	B89-9001	Anti-reverse pawl
36	351-6102	Anti-reverse pawl screw
37	B46-9504	Drag washer A
38	B76-9804	Click gear
39	B78-6601	Drag washer B
40	373-3601	Eared washer
41	B91-3701	Drag coil spring
42	B77-0003	Drag screw
43	B77-0301	Drag washer spring
44	B77-0401	Drag knob
45	352-1103	Drag knob spring screw
46	B74-3701	Oscillating gear
47	B82-2701	Drive gear
48	373-7800	Drive gear washer
49	B12-9002	Bushing
50	K01-1401	Slider cover
51	351-5904	Side cover screw
52	B93-4201	Handle
53	372-3501	Handle lock washer
54	B11-5803	Handle lock screw