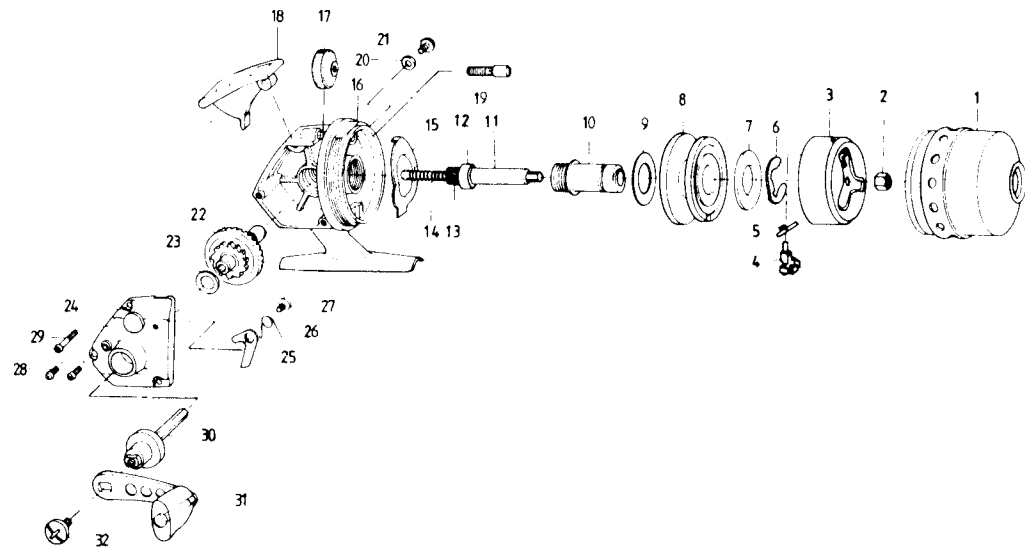


SPINCASTING REEL **RS100RL**



Key No.	Parts No.	Parts Name
1	B09-2104	Front cover
2	B55-4001	Rotor nut
3	B79-6101	Rotor
4	B08-8206	Pick-up pin
5	144-1801	Pick-up pin spring
6	320-0351	Spool retainer
7	370-0412	Spool washer
8	K06-9001	Spool
9	370-0412	Spool washer
10	K06-8501	Shaft metal
11	K06-8701	Main shaft
12	K00-2601	Ball bearing
13	402-6401	Pinion gear
14	142-7712	Main shaft spring
15	151-6501	Drag adjusting plate
16	700-8825	Body

Key No.	Key No.	Parts Name
17	B07-9302	Drag adjusting dial
18	B08-1812	Push button
19	363-1911	Drag adjusting screw
20	501-8501	Handle screw holder
21	E04-7802	Handle screw A
22	413-5201	Drive gear
23	370-5150	Drive gear washer
24	062-9909	Body cover
25	111-7012	Anti-reverse claw
26	144-5111	Anti-reverse claw spring
27	351-7703	Anti-reverse claw screw
28	351-1101	Body cover screw (short)
29	B08-2201	Body cover screw (long)
30	071-0510	Drive gear shaft
31	K06-8401	Handle
32	352-1101	Handle screw B