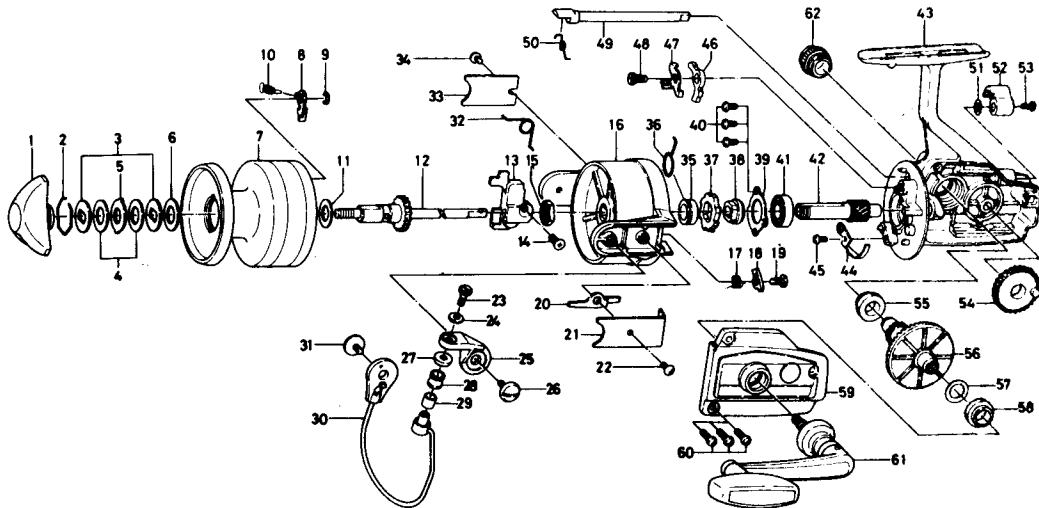


**SPINNING REEL REGAL D7000**



Key No.	Parts No.	Parts Name
1	000-8237	Drag knob
2	170-4511	Drag washer retainer
3	376-0101	Drag D washer
4	372-6504	Disc washer
5	375-5401	Drag A washer
6	372-3004	Drag washer A
7	B05-8702	Spool
8	B07-8201	Spool click claw
9	320-1402	Spool click claw retainer
10	145-2101	Spool click claw spring
11	372-9601	Spool washer
12	B05-8101	Main shaft
13	B07-6001	Oscillating slider
14	351-9001	Oscillating slider screw
15	B10-5701	Rotor nut
16	B05-7402	Rotor
17	145-3001	Bail kick cam spring
18	571-1101	Bail kick cam
19	353-8201	Bail kick cam screw
20	B05-7501	Bail kick lever
21	B05-7601	Bail kick lever cover
22	351-7701	Bail kick lever cover screw
23	363-3111	Bail screw
24	375-1101	Bail washer
25	231-3501	Arm lever
26	363-5201	Arm lever screw
27	501-2001	Roller collar
28	250-4501	Line roller
29	502-1401	Roller metal
30	B05-7701	Bail
31	363-5201	Bail holder screw

Key No.	Parts No.	Parts Name
32	B21-1801	Bail spring
33	634-6801	Bail spring cover
34	351-6101	Bail spring cover screw
35	502-1301	Spring holder
36	B05-7301	Anti-reverse claw spring
37	B10-0901	Ratchet
38	636-6711	Click gear
39	050-5101	Ball bearing ret. washer
40	351-6601	Ball bearing ret. washer screw
41	635-5001	Ball bearing
42	B05-6901	Pinion gear
43	B39-5201	Body
44	B22-9901	Cam kick plate
45	351-6601	Cam kick plate screw
46	B057101	Anti-reverse claw
47	B01-5501	Anti-reverse claw plate
48	B05-7201	Anti-reverse claw screw
49	B15-6401	Anti-reverse cam
50	144-0321	Anti-reverse cam spring
51	373-2700	Anti-reverse lever washer
52	541-7301	Anti-reverse lever
53	352-2501	Anti-reverse lever screw
54	B08-1201	Oscillating gear
55	501-6101	Bearing metal
56	B05-7901	Drive gear
57	371-2800	Drive gear washer
58	501-6101	Bearing metal
59	B39-5301	Body cover
60	353-6301	Body cover screw
61	B05-8401	Handle
62	363-4701	Handle screw cap