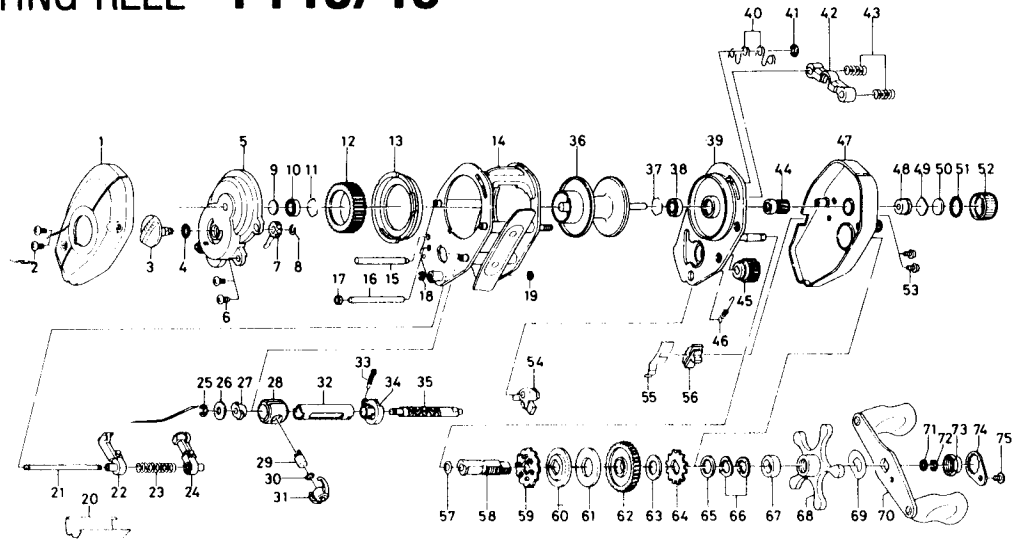


# BAITCASTING REEL PT10/15



Key No.	Parts No.	Parts Name
1	E02-9101	Left side plate
2	B36-0401	Left side plate screw
3	B98-5001	Brake adjusting knob
4	637-0601	"O" ring
5	E03-1201	Set plate A
6	B36-0401	Set plate screw A
7	B54-1701	Brake adjusting gear
8	320-4202	Brake adjusting gear retainer
9	375-7400	Spacer
10	B35-8601	Ball bearing
11	B42-1601	Bearing retainer
12	B58-2501	Magnet holder
13	E03-1601	Magnet holder collar
14	E02-9601	Frame
15	E03-1401	Stabilizer bar A
16	B98-7101	Stabilizer bar B
17	B98-4501	Stabilizer bar collar
18	B86-4101	Stabilizer bar retainer
19	B86-4101	Stabilizer bar retainer
20	B98-7201	Line guard
21	B86-3501	Stabilizer bar C
22	B98-6901	Line guide A
23	B86-3601	Line guide spring
24	B98-6601	Line guide B
25	320-5901	Worm shaft retainer
26	376-1801	Worm shaft holder washer
27	022-2201	Worm bearing A
28	B98-7301	Line guide pawl holder
29	B98-7601	Line guide pawl
30	375-4100	Line guide washer
31	B98-7701	Pawl cap
32	B98-8501	Level wind guard
33	B98-7801	Worm bearing spring
34	B98-7501	Worm bearing B
35	B98-7401	Worm shaft
36	E01-8501	Spool
37	B42-1601	Bearing retainer
38	B35-8601	Ball bearing
39	E02-0001	Set plate B
40	B81-5503	Set plate spring
41	320-1402	Clutch ret. ring
42	B35-9001	Yoke
43	144-7101	Yoke spring
44	B87-0901	Pinion gear

Key No.	Parts No.	Parts Name
45	B98-4301	Worm shaft gear
46	B35-8901	Anti-reverse pawl spring
47	E01-9901	Right side plate
48	B64-3101	Bush
49	B17-5401	Spool adjusting cap metal
50	B17-5501	Spacer
51	171-5201	"O" ring
52	B35-7306	Cast control cap
53	B36-0401	Set plate screw B
54	B74-0501	Anti-reverse pawl
55	E01-7101	Anti-reverse lever spring
56	E01-7001	Anti-reverse lever
57	373-7611	Drive shaft washer A
58	B35-9602	Drive shaft
59	B86-5101	Anti-reverse ratchet
60	B85-4801	Drive shaft washer B
61	B36-0202	Drag washer A
62	E02-3901	Drive gear
63	375-7101	Drag washer B
64	E01-7502	Key washer
65	373-7800	Drag washer C
66	150-8901	Drag spring washer
67	634-5801	Spacing sleeve
68	E02-8901	Star drag
69	150-9001	Friction washer
70	E02-9001	Handle assembly
71	B41-1701	Drive shaft washer C
72	320-8202	Drive shaft retainer
73	341-5801	Handle nut
74	040-3204	Handle nut plate
75	353-8301	Handle nut plate screw

### PT15 Special Parts

14	E02-9701	Frame
15	E03-1501	Stabilizer bar A
16	B98-9001	Stabilizer bar B
20	B98-9101	Line guard
21	B98-8901	Stabilizer bar C
23	B92-7201	Line guide spring
32	B98-8601	Level wind guard
35	B98-9201	Worm shaft
36	E02-0601	Spool
47	E01-9902	Right side plate