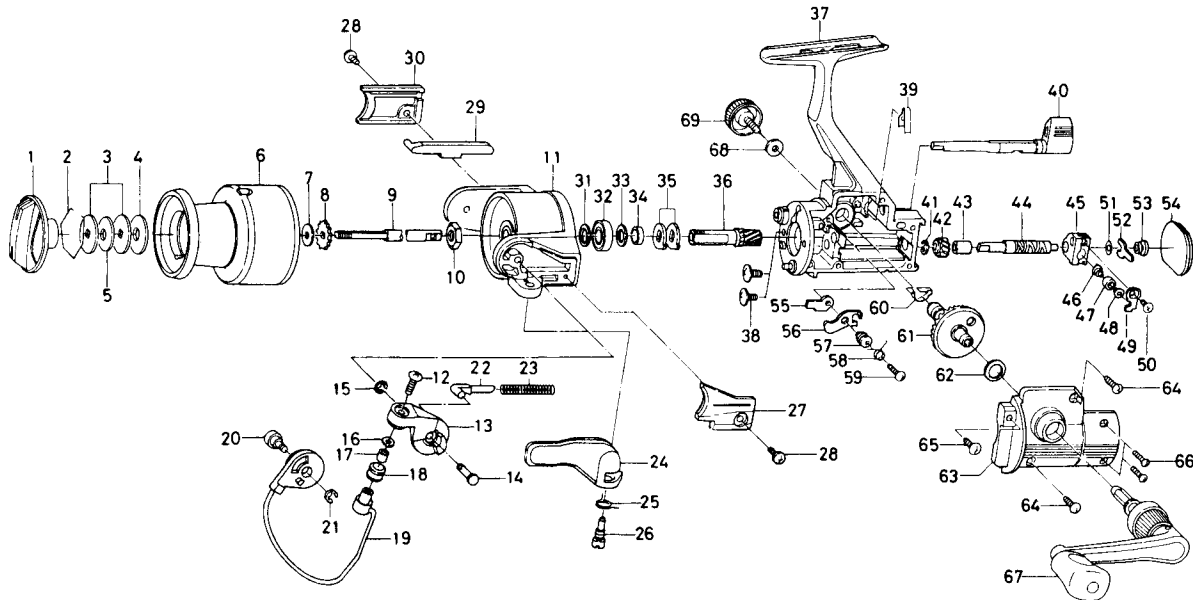


# SPINNING REEL — PS705



Key No. 2-6  
E41-5901 Spool assembly 9.00

Key No.	Part No.	Part Name	Price	Key No.	Part No.	Part Name	Price
1	E41-6301	Drag knob	1.20	36	E42-0001	Pinion gear	4.75
2	171-7701	Drag washer retainer	.35	37	F05-0701	Body	7.50
3	E13-6103	Key washer	.80	38	E03-7801	Bearing retainer screw	.60
4	E13-6003	Drag washer	.70	39	E26-8701	Anti-reverse cam spring	.55
5	F05-0901	Drag spring washer	.95	40	E36-3207	Anti-reverse lever	1.30
6	E41-6001	Spool assembly	N/A	41	B33-9801	Worm shaft gear retainer	.35
7	E39-4001	Spool washer	.60	42	E41-5801	Worm shaft gear	1.60
8	E36-5301	Click gear	.60	43	E29-6501	Worm shaft bush	.80
9	E37-2301	Main shaft	2.10	44	E41-9901	Worm shaft	6.50
10	341-9201	Rotor nut	.55	45	F01-1003	Oscillating slider	3.70
11	E37-3205	Rotor	4.80	46	E12-2403	Oscillating pawl	4.95
12	B67-9304	Line roller screw	.40	47	E12-4601	Oscillating pawl bush	2.10
13	E37-3301	Bail arm	1.65	48	375-0800	Oscillating pawl washer	.40
14	E37-3401	Bail arm screw	1.00	49	E11-6801	Oscillating slider cover	.80
15	320-5901	Bail arm screw retainer	.50	50	E15-0203	Oscillating slider cover screw	.70
16	B55-4301	Line roller washer	.40	51	B53-6101	Worm shaft washer	.35
17	B45-1501	Line roller collar	.60	52	E29-6701	Worm shaft retainer	.80
18	250-3921	Line roller	.90	53	E29-6601	Worm shaft collar	2.35
19	E38-8501	Bail	4.25	54	F01-9808	Rear cover	2.60
20	E38-3102	Bail trip cam screw	1.00	55	B95-9301	Anti-reverse pawl plate	.70
21	320-5901	Bail trip cam screw retainer	.50	56	E27-1301	Anti-reverse pawl	1.15
22	E36-8201	Bail spring shaft	.70	57	B95-9501	Anti-reverse pawl collar	.95
23	E37-2401	Bail spring	.70	58	B95-9602	Anti-reverse pawl spring A	.60
24	E37-3601	Trigger lever	2.70	59	B00-8601	Anti-reverse pawl screw	.35
25	E36-9901	Trigger spring	.70	60	E29-6902	Anti-reverse pawl spring B	1.40
26	E41-7801	Trigger screw	1.15	61	E42-0101	Drive gear	3.90
27	E37-3503	Bail spring cover	1.15	62	375-8502	Drive gear washer	.35
28	E36-4201	Bail spring cover screw	.60	63	F02-0002	Side cover	3.40
29	E36-8402	Bail trip lever	1.15	64	E15-8601	Side cover screw A	.60
30	E36-8503	Bail trip cover	1.15	65	E13-0501	Side cover screw B	.60
31	375-8503	Bearing washer A	.60	66	E11-9601	Side cover screw C	.70
32	634-1301	Ball bearing	6.95	67	E41-7902	Handle assembly	6.50
33	375-8503	Bearing washer B	.60	68	F02-0201	Handle lock washer	.35
34	E29-6101	Spacing sleeve	.70	69	F03-5601	Handle lock screw	1.65
35	E36-9401	Anti-reverse ratchet	.70				