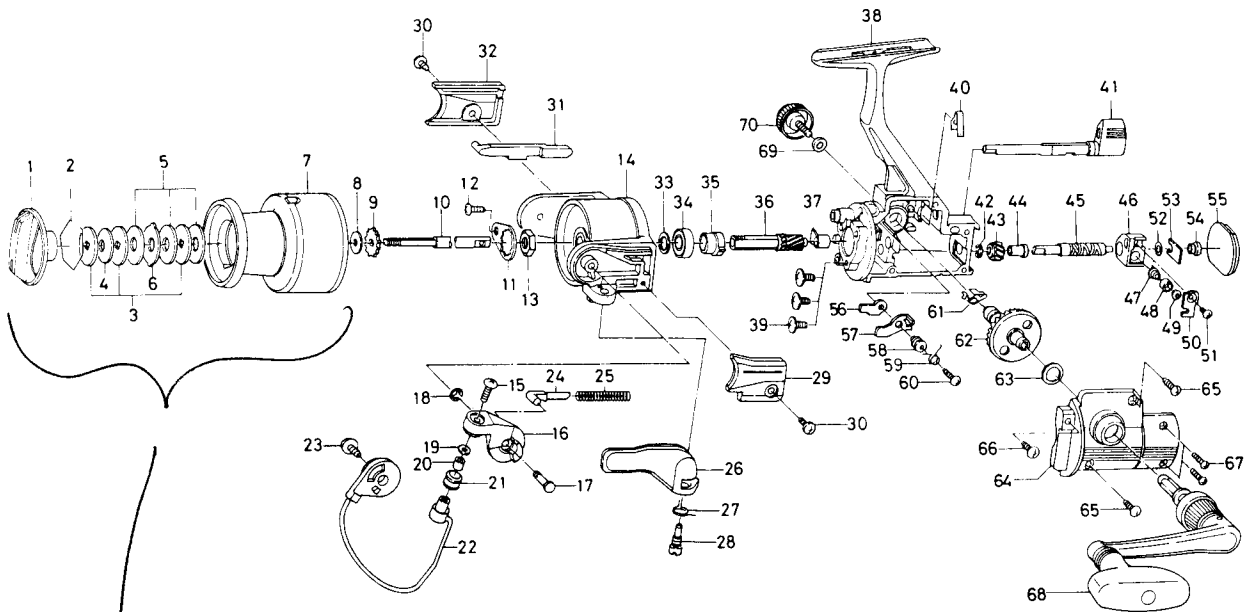


SPINNING REEL — PS1605 / 2005



Key No. 2-7
E41-8901 Spool assembly 10.50

Key No.	Part No.	Part Name	Price
1	E41-9401	Drag knob	1.70
2	171-7701	Drag washer retainer	.35
3	F01-2002	Key washer	.70
4	F05-0901	Drag spring washer	.95
5	E13-6003	Drag washer	.70
6	373-3601	Eared washer	.55
7	E41-9001	Spool assembly	N/A
8	E39-7901	Spool washer	.60
9	E41-3101	Click gear	.60
10	E37-7001	Main shaft	2.60
11	B66-2601	Rotor nut holding plate	1.10
12	B93-3001	Rotor nut holding plate screw	.45
13	B10-5701	Rotor nut	.65
14	F01-1503	Rotor	6.40
15	B67-9304	Line roller screw	.40
16	E36-9501	Bail arm	1.65
17	E36-9601	Bail arm screw	1.10
18	320-5901	Bail arm screw retainer	.50
19	B55-4301	Line roller washer	.40
20	B45-1501	Line roller collar	.60
21	250-3921	Line roller	.90
22	E38-6501	Bail	5.00
23	E00-7101	Bail trip cam screw	.45
24	E36-4401	Bail spring shaft	.70
25	E39-0601	Bail spring	.60
26	E36-9801	Trigger lever	2.70
27	E36-9901	Trigger spring	.70
28	E41-7801	Trigger screw	1.15
29	F01-1703	Bail spring cover	1.20
30	E36-4201	Bail spring cover screw	.60
31	F01-1602	Bail trip lever	1.70
32	E37-8203	Bail trip cover	1.25
33	371-2827	Bearing washer	.60
34	B54-6001	Ball bearing	7.70
35	E40-1001	Anti-reverse ratchet	1.10
36	E41-8501	Pinion gear	6.80
37	B88-0001	Pinion collar	.90
38	E41-8401	Body	11.00
39	E03-7801	Bearing retainer screw	.60

Key No.	Part No.	Part Name	Price
40	E26-8701	Anti-reverse cam spring	.55
41	E37-6002	Anti-reverse lever	1.30
42	320-5901	Worm shaft gear retainer	.50
43	E42-0501	Worm shaft gear	1.60
44	E45-1101	Worm shaft bush	.90
45	E37-6401	Worm shaft	7.35
46	E37-6301	Oscillating slider	3.70
47	E19-1202	Oscillating pawl	4.95
48	E19-1301	Oscillating pawl bush	2.80
49	375-0800	Oscillating pawl washer	.40
50	E37-6901	Oscillating slider cover	.90
51	E40-1501	Oscillating slider cover screw	.70
52	375-4101	Worm shaft washer	.30
53	E36-3801	Worm shaft retainer	.70
54	E39-3601	Worm shaft collar	1.10
55	F01-9509	Rear cover	2.80
56	B96-5301	Anti-reverse pawl plate	.75
57	E27-7002	Anti-reverse pawl	1.10
58	B96-5501	Anti-reverse pawl collar	.95
59	B96-5601	Anti-reverse pawl spring A	.70
60	B00-9701	Anti-reverse pawl screw	.45
61	E37-7201	Anti-reverse pawl spring B	1.65
62	E41-8601	Drive gear	3.90
63	373-7802	Drive gear washer	.40
64	E38-6002	Side cover	4.10
65	E15-8601	Side cover screw A	.60
66	E15-8602	Side cover screw B	.60
67	E11-9601	Side cover screw C	.70
68	E41-8701	Handle assembly	8.75
69	F02-0201	Handle lock washer	.35
70	F03-5601	Handle lock screw	1.65

PS2005 Special Parts:

2-7	E41-9601	Spool assembly	11.00
7	E41-9701	Spool assembly	N/A
9	F05-1201	Click gear	.70
14	F01-1903	Rotor	7.00
22	E38-6701	Bail	5.25
55	F01-9512	Rear cover	2.80