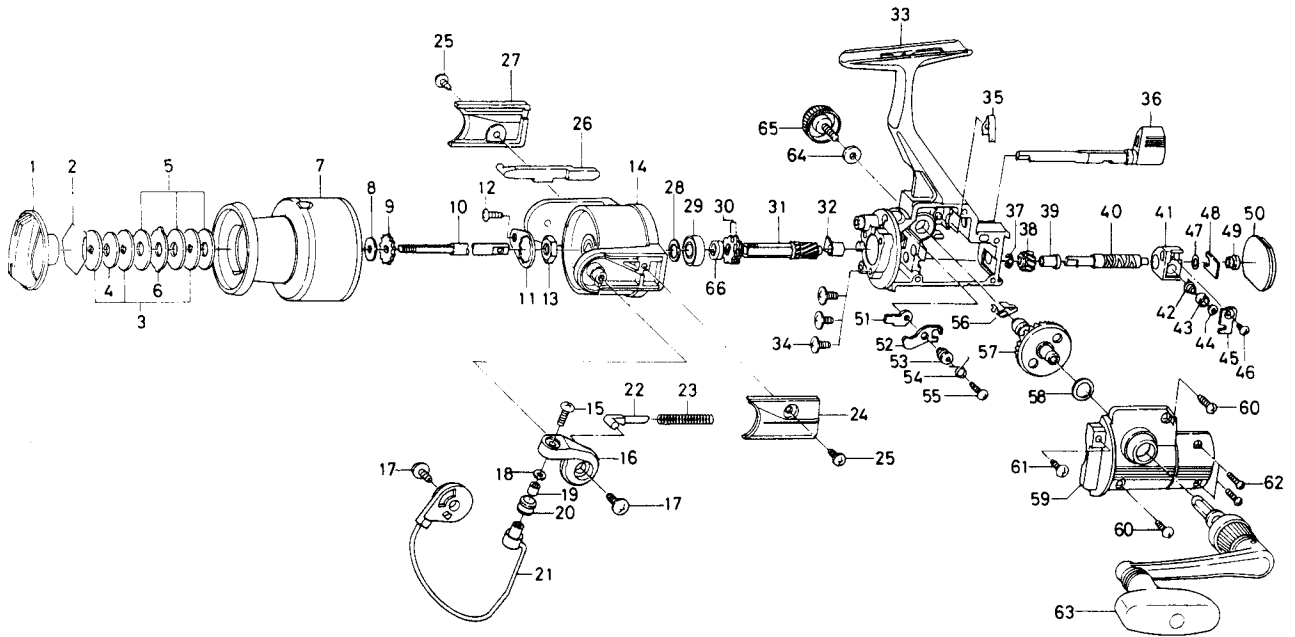


## SPINNING REEL — PS1600 / 2000



### Key No. 2-7

Key No.	Part No.	Part Name	Price
	E41-8901	Spool assembly	10.50
1	E41-9401	Drag knob	1.70
2	171-7701	Drag washer retainer	.35
3	F01-2002	Key washer	.70
4	F05-0901	Drag spring washer	.95
5	E13-6003	Drag washer	.70
6	373-3601	Eared washer	.55
7	E41-9001	Spool assembly	N/A
8	E39-7901	Spool washer	.60
9	E41-3101	Click gear	.60
10	E37-7001	Main shaft	2.60
11	B66-2601	Rotor nut holding plate	1.10
12	B93-3001	Rotor nut holding plate screw	.45
13	E10-5701	Rotor nut	.65
14	F01-1103	Rotor	5.00
15	B67-9304	Line roller screw	.40
16	F00-8501	Bail arm	1.65
17	E00-7101	Bail arm screw	.45
18	B55-4301	Line roller washer	.40
19	B45-1501	Line roller collar	.60
20	250-3921	Line roller	.90
21	E38-6201	Bail	5.00
22	E36-4401	Bail spring shaft	.70
23	E39-0601	Bail spring	.60
24	E37-7903	Bail spring cover	1.25
25	E36-4201	Bail spring cover screw	.60
26	F01-1602	Bail trip lever	1.70
27	E37-8203	Bail trip cover	1.25
28	371-2827	Bearing washer	.60
29	B54-6001	Ball bearing	7.70
30	E37-6701	Anti-reverse ratchet	.70
31	E41-8501	Pinion gear	6.80
32	B88-0001	Pinion collar	.90
33	E41-8401	Body	11.00
34	E03-7801	Bearing retainer screw	.60
35	E26-8701	Anti-reverse cam spring	.55
36	E37-6002	Anti-reverse lever	1.30
37	320-5901	Worm shaft gear retainer	.50

### Key

No.	Part No.	Part Name	Price
38	E42-0501	Worm shaft gear	1.60
39	E45-1101	Worm shaft bush	.90
40	E37-6401	Worm shaft	7.35
41	E37-6301	Oscillating slider	3.70
42	E19-1202	Oscillating pawl	4.95
43	E19-1301	Oscillating pawl bush	2.80
44	375-0800	Oscillating pawl washer	.40
45	E37-6901	Oscillating slider cover	.90
46	E40-1501	Oscillating slider cover screw	.70
47	375-4101	Worm shaft washer	.30
48	E36-3801	Worm shaft retainer	.70
49	E39-3601	Worm shaft collar	1.10
50	F01-9508	Rear cover	2.80
51	B96-5301	Anti-reverse pawl plate	.75
52	E27-7002	Anti-reverse pawl	1.10
53	B96-5501	Anti-reverse pawl collar	.95
54	B96-5601	Anti-reverse pawl spring A	.70
55	B00-9701	Anti-reverse pawl screw	.45
56	E37-7201	Anti-reverse pawl spring B	1.65
57	E41-8601	Drive gear	3.90
58	373-7802	Drive gear washer	.40
59	E38-6002	Side cover	4.10
60	E15-8601	Side cover screw A	.60
61	E15-8602	Side cover screw B	.60
62	E11-9601	Side cover screw C	.70
63	E41-8701	Handle assembly	8.75
64	F02-0201	Handle lock washer	.35
65	F03-5601	Handle lock screw	1.65
66	F01-1401	Spacing sleeve	1.10

### PS2000 Special Parts:

2-7	E41-9601	Spool assembly	11.00
7	E41-9701	Spool assembly	N/A
9	F05-1201	Click gear	.70
14	F01-1803	Rotor	5.50
21	E38-6601	Bail	5.25
50	F01-9511	Rear cover	2.80