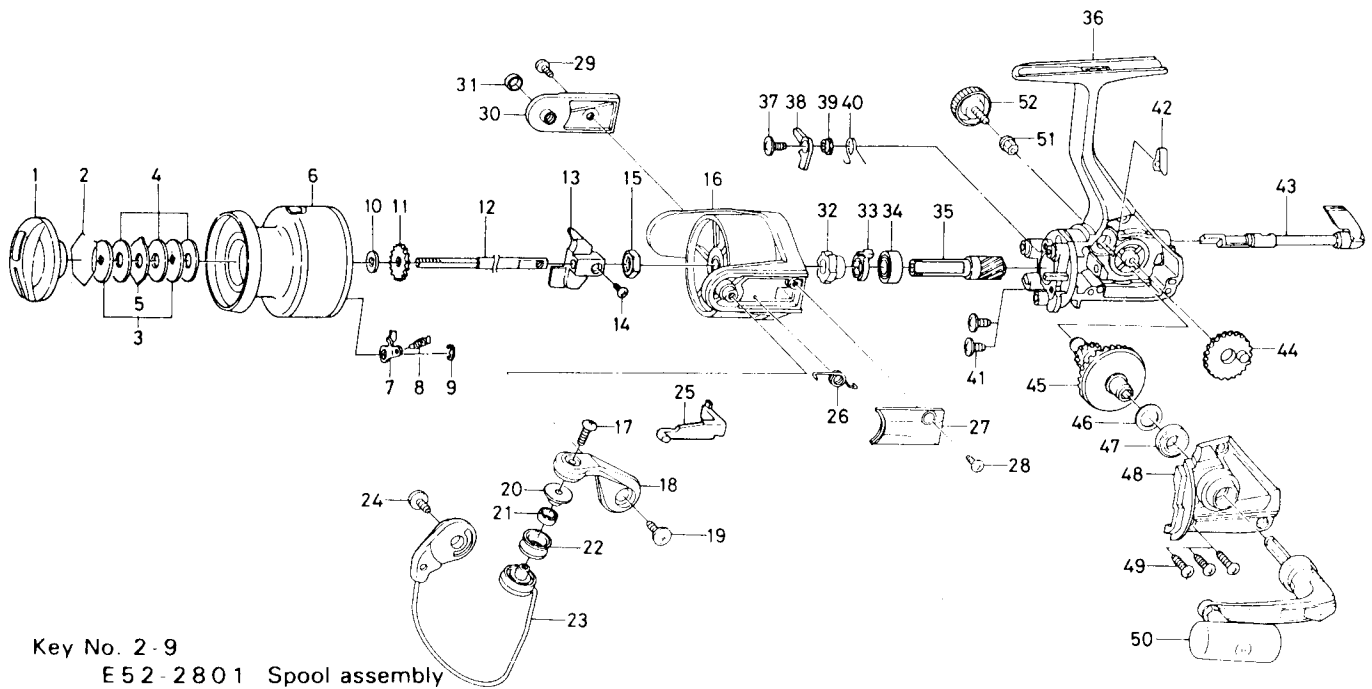


SPINNING REEL — PS1300BL



Key No. 2-9
E 52-2801 Spool assembly

Key No.	Parts No.	Parts Name
1	F19-8601	Drag knob
2	171-7701	Drag washer retainer
3	E46-7201	Key washer
4	E13-6003	Drag washer
5	373-3603	Eared washer
6	E52-2901	Spool assembly
7	B07-5304	Click pawl
8	E40-3101	Click spring
9	320-5901	Click retainer
10	E46-7101	Spool washer
11	270-6501	Click gear
12	E48-4301	Main shaft
13	E45-1401	Oscillating slider
14	351-0315	Oscillating block screw
15	341-9201	Rotor nut
16	F10-4204	Rotor
17	B67-9305	Line roller screw
18	E50-4801	Bail arm
19	E00-7102	Bail arm screw
20	F06-6301	Line roller collar
21	F05-5601	Ball bearing A
22	F05-8901	Line roller
23	F19-3501	Bail assembly
24	B51-5302	Bail trip cam screw
25	E45-1601	Bail trip lever
26	F12-8901	Bail spring

Key No.	Parts No.	Parts Name
27	F08-8401	Bail spring cover
28	E36-4201	Bail spring cover screw
29	L01-1701	Bail trip cover screw
30	F17-9901	Bail trip cover
31	F17-3001	Bail trip collar
32	L01-4001	Anti-reverse ratchet
33	E38-5501	Anti-reverse pawl spring A
34	L03-6601	Ball bearing B
35	E51-9801	Pinion gear
36	F17-9602	Body assembly
37	L00-1801	Anti-reverse pawl screw
38	L01-4401	Anti-reverse pawl
39	L01-4302	Anti-reverse pawl collar
40	L00-1501	Anti-reverse pawl spring B
41	E03-7801	Bearing retainer screw
42	E32-7801	Anti-reverse cam spring
43	F08-5118	Anti-reverse lever
44	E45-1301	Oscillating gear
45	F17-0001	Drive gear
46	373-7800	Drive gear washer
47	631-6901	Ball bearing C
48	E50-5506	Side cover
49	B83-5001	Side cover screw
50	L05-2202	Handle assembly
51	501-8501	Handle collar
52	B92-5002	Handle lock screw