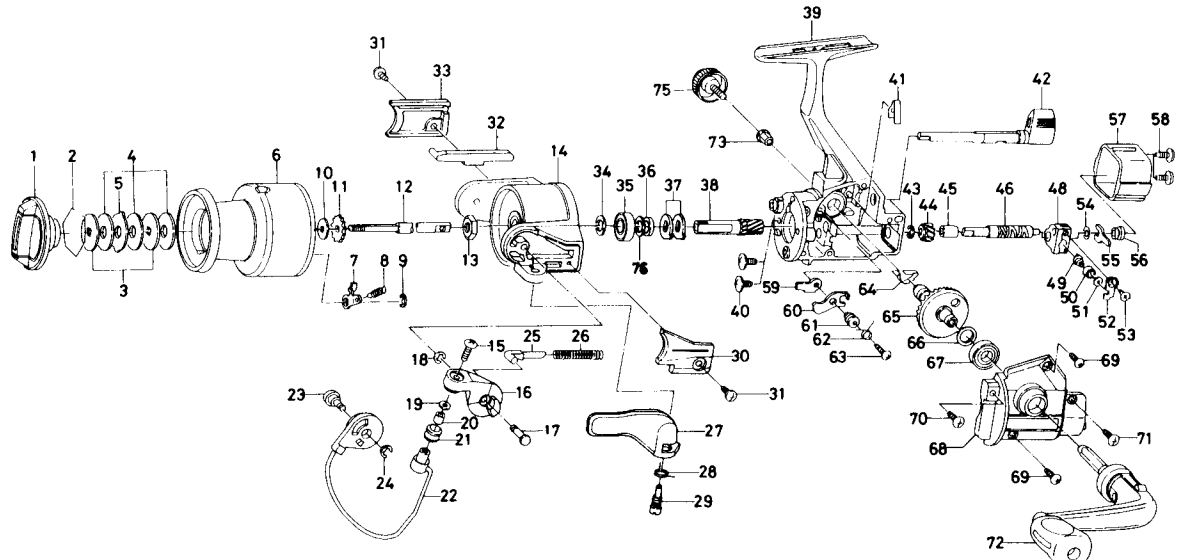


SPINNING REEL PR705H/1005H



Key No. 2-9
E39-1001 Spool assembly

Key No.	Parts No.	Parts Name
1	E36-8901	Drag knob
2	E71-7701	Drag washer retainer
3	E13-6101	Key washer
4	E13-6003	Drag washer
5	E73-3603	Eared washer
6	E39-0901	Spool assembly
7	B07-5303	Click pawl
8	E40-3101	Click spring
9	320-5901	Click retainer
10	E39-4001	Spool washer
11	E36-5301	Click gear
12	E37-2301	Main shaft
13	341-9201	Rotor nut
14	E37-3203	Rotor
15	B67-9305	Line roller screw
16	E37-3301	Bail arm
17	E37-3401	Bail arm screw
18	320-5901	Bail arm screw retainer
19	B55-4301	Line roller washer
20	B45-1501	Line roller bushing
21	E22-5101	Line roller
22	E37-3701	Bail
23	E38-2101	Bail trip cam screw
24	320-5901	Bail trip cam screw retainer
25	E30-8201	Bail spring shaft
26	E27-2401	Bail spring
27	E27-3601	Trigger lever
28	E26-9901	Trigger spring
29	E37-0001	Trigger screw
30	E37-3501	Bail spring cover
31	E36-4201	Bail spring cover screw
32	E36-8401	Bail trip lever
33	E36-8501	Bail trip cover
34	375-8503	Ball bearing retaining washer
35	634-1301	Ball bearing
36	E29-6101	Spacing sleeve
37	E36-9401	Anti-reverse ratchet
38	F00-5301	Pinion gear
39	F00-9402	Body
40	E10-7401	Bearing retainer screw
41	E26-8701	Anti-reverse cam spring

Key No.	Parts No.	Parts Name
42	E36-3206	Anti-reverse lever
43	B33-9801	Worm shaft gear retainer
44	F03-6601	Worm shaft gear
45	E29-6501	Worm shaft bush
46	E39-3801	Worm shaft
48	E01-1003	Oscillating slider
49	E12-2403	Oscillating pawl
50	E12-4601	Oscillating pawl bush
51	375-0800	Oscillating pawl washer
52	E11-6801	Oscillating slider cover
53	E15-0202	Oscillating slider cover screw
54	B53-6100	Worm shaft washer
55	E20-6701	Worm shaft retainer
56	E29-6601	Worm shaft collar
57	F01-0301	Rear cover
58	E24-8102	Rear cover screw
59	B05-9301	Anti-reverse pawl plate
60	E27-1301	Anti-reverse pawl
61	B95-9501	Anti-reverse pawl collar
62	B55-9602	Anti-reverse pawl spring A
63	B00-8601	Anti-reverse pawl screw
64	E29-6901	Anti-reverse pawl spring B
65	E31-1501	Drive gear
66	375-8500	Drive gear washer
67	634-1301	Ball bearing
68	F00-9802	Left side cover
69	E15-8601	Side cover screw A
70	E10-0501	Side cover screw B
71	E15-8602	Side cover screw C
72	F02-0401	Handle assembly
73	501-8501	Handle collar
75	F03-5602	Handle lock screw
76	375-8500	Pinion washer

PR1005H Special Parts	Parts No.	Parts Name
2-9	E39-1201	Spool assembly
6	E39-1101	Spool assembly
14	E38-2303	Rotor
22	E38-2601	Bail
39	F00-9404	Body
68	F00-9805	Left side cover