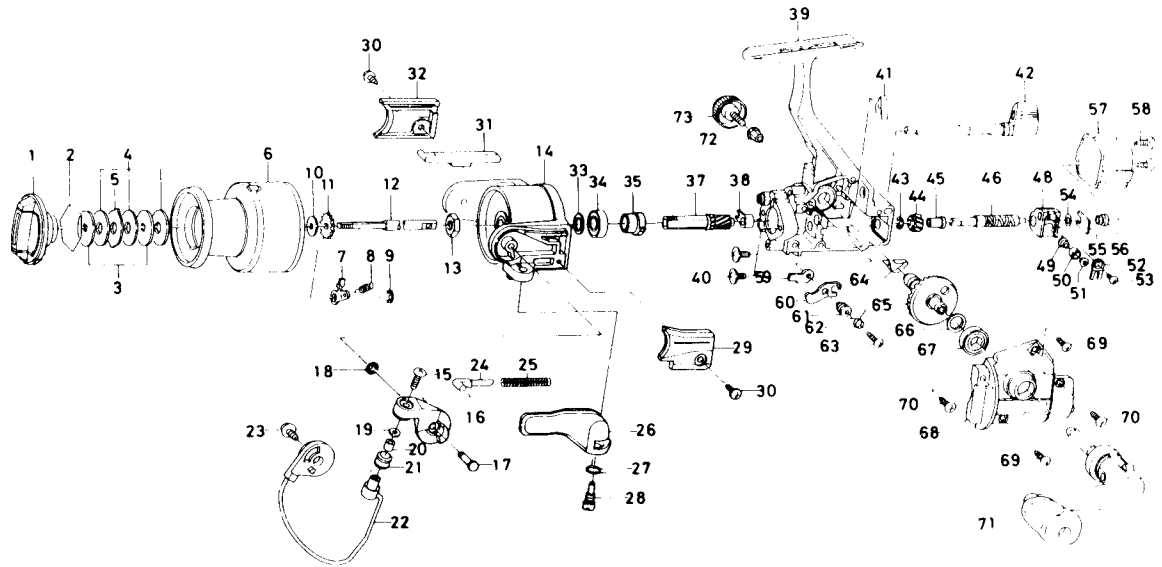


SPINNING REEL PR1305H



Key No. 2~9
E39-0801 Spool assembly

Key No.	Parts No.	Parts Name	Key No.	Parts No.	Parts Name
1	E36-5801	Drag knob	38	E24-3301	Pinion holder
2	171-7701	Drag washer retainer	39	E36-2703	Body
3	E13-6101	Key washer	40	E03-7801	Bearing retainer screw
4	E13-6003	Drag washer	41	E26-8701	Anti-reverse cam spring
5	373-3603	Eared washer	42	E36-3201	Anti-reverse lever
6	E39-0701	Spool assembly	43	B33-9801	Worm shaft gear re
7	B07-5303	Click pawl	44	F00-5601	Worm shaft gear
8	E40-3101	Click spring	45	E39-3501	Worm shaft bush
9	320-5901	Click retainer	46	E27-1601	Worm shaft
10	E39-4001	Spool washer	48	F02-4301	Oscillating slider
11	E36-5301	Click gear	49	E19-1202	Oscillating pawl
12	E36-3901	Main shaft	50	E19-1301	Oscillating pawl bus
13	341-9201	Rotor nut	51	375-0800	Oscillating pawl wa
14	E41-3501	Rotor	52	E24-4901	Oscillating slider co
15	B67-9305	Line roller screw	53	E15-0202	Oscillating slider co
16	E36-9501	Bail arm	54	375-4100	Worm shaft washer
17	E36-9601	Bail arm screw	55	E36-3801	Worm shaft retainei
18	320-5901	Bail arm screw retainer	56	E39-3601	Worm shaft collar
19	B55-4301	Line roller washer	57	E36-4001	Rear cover
20	B45-1501	Line roller bushing	58	E24-8102	Rear cover screw
21	E22-5101	Line roller	59	B95-9301	Anti-reverse pawl p
22	E37-0101	Bail	60	E27-1301	Anti-reverse pawl
23	E00-7102	Bail trip cam screw	61	B95-9501	Anti-reverse pawl c
24	E36-4401	Bail spring shaft	62	B95-9602	Anti-reverse pawl s
25	E39-0601	Bail spring	63	B00-8601	Anti-reverse pawl s
26	E36-9801	Trigger lever	64	E24-5301	Anti-reverse pawl s
27	E36-9901	Trigger spring	65	F00-5701	Drive gear
28	E37-0001	Trigger screw	66	375-8500	Drive gear washer
29	E36-9701	Bail spring cover	67	634-1301	Ball bearing B
30	E36-4201	Bail spring cover screw	68	F00-8304	Left side cover
31	E36-5001	Bail trip lever	69	E15-8601	Side cover screw A
32	E36-5102	Bail trip cover	70	E15-8602	Side cover screw B
33	375-8503	Ball bearing retaining washer	71	F02-0101	Handle assembly
34	L03-6601	Ball bearing A	72	501-8501	Handle collar
35	F03-7501	Anti-reverse ratchet	73	F03-5602	Handle lock screw
37	E36-9201	Pinion gear			