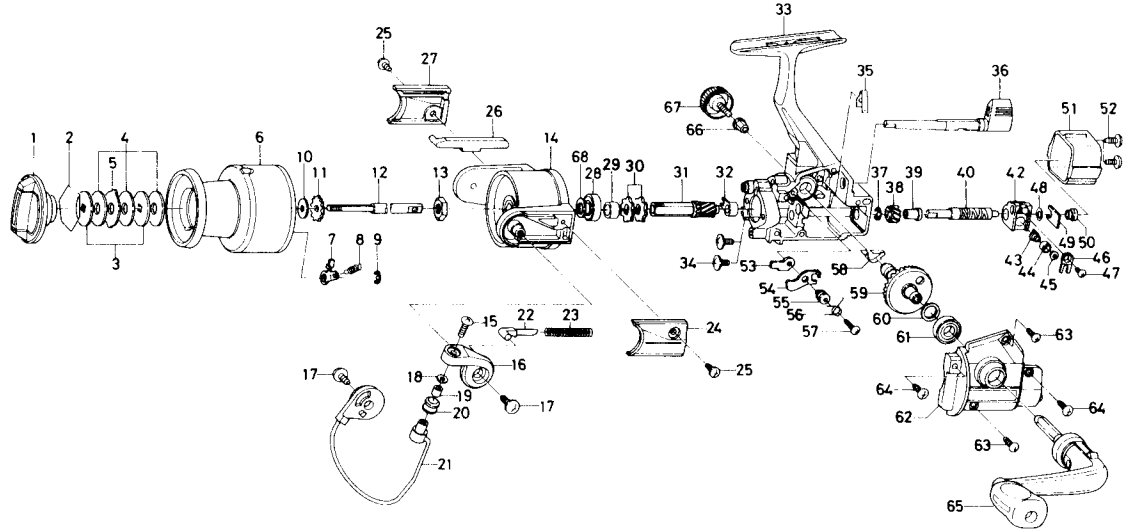


# SPINNING REEL PR1300H



**Key No. 2-9**  
E39-0801 Spool assembly

Key No.	Parts No.	Parts Name	Key No.	Parts No.	Parts Name
1	E36-5801	Drag knob	35	E26-8701	Anti-reverse cam spring
2	171-7701	Drag washer retainer	36	E36-3201	Anti-reverse lever
3	E13-6101	Key washer	37	B33-9801	Worm shaft gear retainer
4	E13-6003	Drag washer	38	F00-5601	Worm shaft gear
5	373-3603	Eared washer	39	E39-3501	Worm shaft bush
6	E39-0701	Spool assembly	40	E27-1601	Worm shaft
7	B07-5303	Click pawl	42	F02-4301	Oscillating slider
8	E40-3101	Click spring	43	E19-1201	Oscillating pawl
9	320-5901	Click retainer	44	E19-1301	Oscillating pawl bush
10	E39-4001	Spool washer	45	375-0800	Oscillating pawl washer
11	E36-5301	Click gear	46	E24-4901	Oscillating slider cover
12	E36-3901	Main shaft	47	E15-0202	Oscillating slider cover screw
13	341-9201	Rotor nut	48	375-4100	Worm shaft washer
14	E36-4301	Rotor	49	E36-3801	Worm shaft retainer
15	B67-9305	Line roller screw	50	E39-3601	Worm shaft collar
16	F00-8501	Bail arm	51	E36-4001	Rear cover
17	E00-7102	Bail arm screw	52	E24-8102	Rear cover screw
18	B55-4301	Line roller washer	53	B95-9301	Anti-reverse pawl plate
19	B45-1501	Line roller bushing	54	E27-1301	Anti-reverse pawl
20	E22-5101	Line roller	55	B95-9501	Anti-reverse pawl collar
21	E36-4701	Bail	56	B95-9602	Anti-reverse pawl spring A
22	E36-4401	Bail spring shaft	57	B00-8601	Anti-reverse pawl screw
23	E39-0501	Bail spring	58	E24-5301	Anti-reverse pawl spring B
24	E36-4602	Bail spring cover	59	F00-5701	Drive gear
25	E36-4201	Bail spring cover screw	60	375-8500	Drive gear washer
26	E36-5001	Bail trip lever	61	634-1301	Ball bearing B
27	E36-5102	Bail trip cover	62	F00-8301	Left side cover
28	L03-6601	Ball bearing A	63	E15-8601	Side cover screw A
29	E36-3601	Spacing sleeve	64	E15-8602	Side cover screw B
30	E27-1501	Anti-reverse ratchet	65	F02-0101	Handle assembly
31	E36-9201	Pinion gear	66	501-8501	Handle collar
32	E24-3301	Pinion holder	67	F03-5602	Handle lock screw
33	E36-2701	Body	68	375-8503	Ball bearing retaining washer
34	E03-7801	Bearing retainer screw			