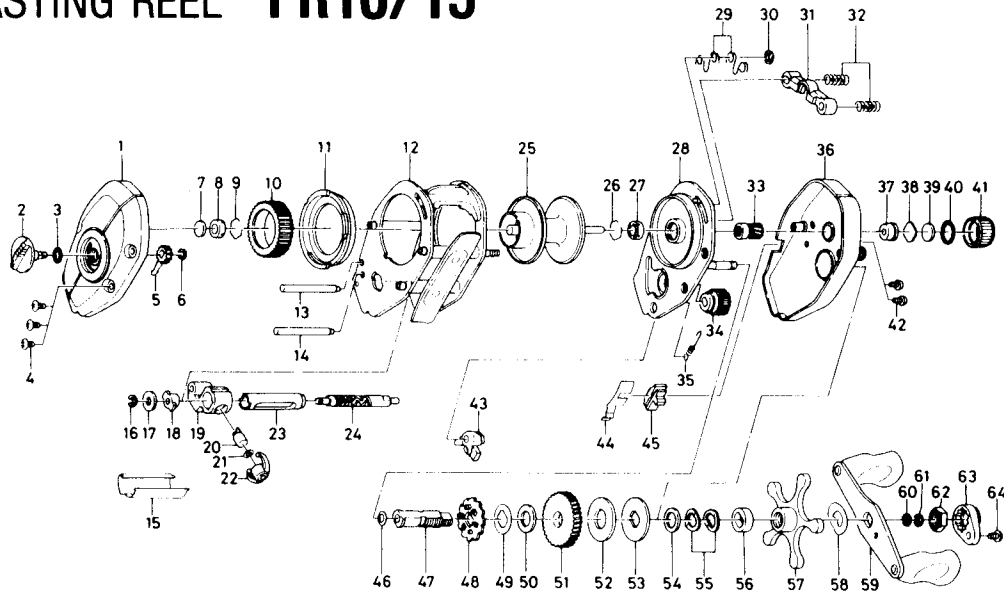


## BAITCASTING REEL PR10/15



### \*IMPROVED LINE GUIDE ASSEMBLY

19	E02-2320	Line Guide
20	B71-0101	Line guide pin
21	373-1303	Line guide washer
22	342-4802	Line guide nut

Key No.	Parts No.	Parts Name
1	E02-9201	Left side plate
2	B98-5001	Brake adjusting knob
3	637-0601	"O" ring
4	B36-0402	Left side plate screw
5	B54-1701	Brake adjusting gear
6	320-4202	Brake adjusting gear retainer
7	375-7400	Spacer
8	B35-8601	Ball bearing
9	B42-1601	Bearing retainer
10	B66-1201	Magnet holder
11	E03-1601	Magnet holder collar
12	E02-9801	Frame
13	E03-1401	Stabilizer bar A
14	E03-1401	Stabilizer bar B
15	B98-7202	Line guard
16	320-5901	Worm shaft retainer
17	376-1801	Worm shaft holder washer
18	B71-5601	Worm bearing
19	E02-3201	Line guide
20	B98-7601	Line guide pawl
21	375-0800	Line guide washer
22	B98-7701	Pawl cap
23	B99-1801	Level wind guard
24	B99-1901	Worm shaft
25	B87-3001	Spool
26	B42-1601	Bearing retainer
27	B35-8601	Ball bearing
28	E02-8702	Set plate
29	B81-5503	Set plate spring
30	320-1402	Clutch ret. ring
31	B35-9001	Yoke
32	144-7101	Yoke spring
33	B87-0901	Pinion gear
34	B99-2001	Worm shaft gear
35	B35-8901	Anti-reverse pawl spring
36	E03-0601	Right side plate
37	B64-3101	Bush

Key No.	Parts No.	Parts Name
38	B17-5401	Spool adjusting cap metal
39	B17-5501	Spacer
40	171-5201	"O" ring
41	B35-7305	Cast control cap
42	B36-0402	Set plate screw
43	B74-0501	Anti-reverse pawl
44	E01-7101	Anti-reverse lever spring
45	E01-7001	Anti-reverse lever
46	373-7611	Drive shaft washer A
47	B35-9602	Drive shaft
48	B86-5101	Anti-reverse ratchet
49	B95-7501	Drive shaft washer B
50	375-7103	Drag washer A
51	B85-2101	Drive gear
52	B36-0202	Drag washer B
53	B36-0301	Key washer
54	373-7803	Drag washer C
55	150-8901	Drag spring washer
56	634-5801	Spacing sleeve
57	B36-0504	Star drag
58	150-9001	Friction washer
59	B46-5801	Handle assembly
60	B41-1701	Drive shaft washer C
61	320-8202	Drive shaft retainer
62	B43-3601	Handle nut
63	B43-3903	Handle nut plate
64	351-1803	Handle nut plate screw

### PR15 Special Parts

12	E02-9901	Frame
13	E03-1501	Stabilizer bar A
14	E03-1501	Stabilizer bar B
15	B98-9102	Line guard
23	B99-2101	Level wind guard
24	B99-2201	Worm shaft
25	B89-2601	Spool
36	E03-0602	Right side plate

\*NOTE: IT IS RECOMMENDED THAT THESE FOUR PARTS BE REPLACED WITH THE ABOVE IMPROVED LINE-GUIDE ASSEMBLY.