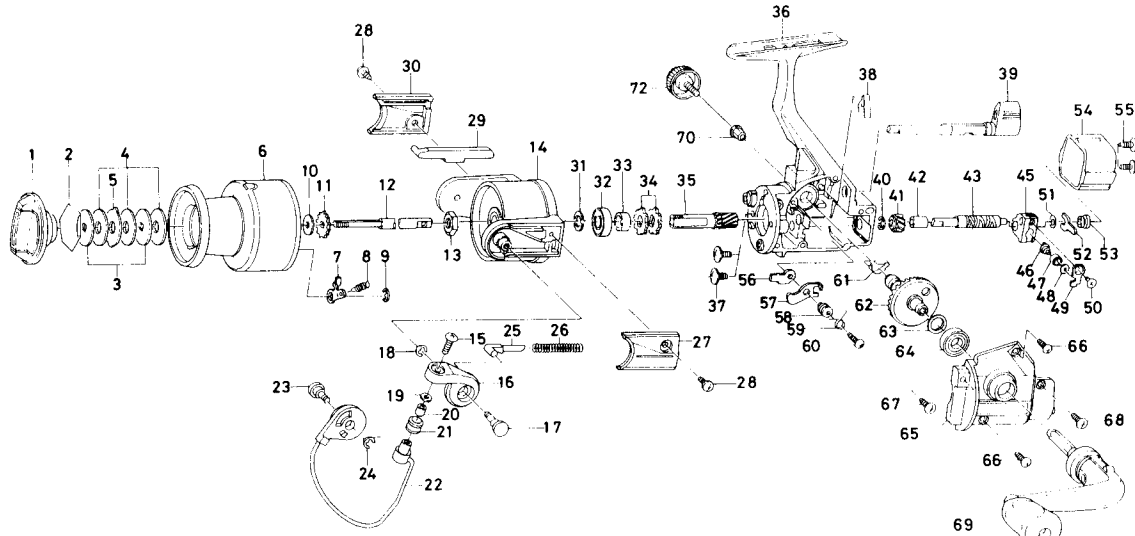


SPINNING REEL PR700H/1000H



Key No. 2-9

Key No.	Parts No.	Parts Name
	E39-1001	Spool assembly
1	E36-8901	Drag knob
2	171-7701	Drag washer retainer
3	E13-6101	Key washer
4	E13-6003	Drag washer
5	373-3603	Eared washer
6	E39-0901	Spool assembly
7	B07-5303	Click pawl
8	E40-3101	Click spring
9	320-5901	Click retainer
10	E39-4001	Spool washer
11	E36-5301	Click gear
12	E37-2301	Main shaft
13	341-9201	Rotor nut
14	E36-8101	Rotor
15	B67-9305	Line roller screw
16	F01-0401	Bail arm
17	E37-1701	Bail arm screw
18	320-5901	Bail arm screw retainer
19	B55-4301	Line roller washer
20	B45-1501	Line roller bushing
21	E22-5101	Line roller
22	E37-2501	Bail
23	E37-1701	Bail trip cam screw
24	320-5901	Bail trip cam screw retainer
25	E36-8201	Bail spring shaft
26	E37-2401	Bail spring
27	E36-8301	Bail spring cover
28	E36-4201	Bail spring cover screw
29	E36-8401	Bail trip lever
30	E36-8501	Bail trip cover
31	375-8503	Ball bearing retaining washer
32	634-1301	Ball bearing
33	E29-6101	Spacing sleeve
34	E27-1501	Anti-reverse ratchet
35	F00-5301	Pinion gear
36	F00-9401	Body
37	E10-7401	Bearing retainer screw
38	E26-8701	Anti-reverse cam spring

Key No.

Key No.	Parts No.	Parts Name
39	E36-3204	Anti-reverse lever
40	B33-9801	Worm shaft gear retainer
41	F03-6601	Worm shaft gear
42	E29-6501	Worm shaft bush
43	E39-3801	Worm shaft
45	F01-1003	Oscillating slider
46	E12-2401	Oscillating pawl
47	E12-4601	Oscillating pawl bush
48	375-0800	Oscillating pawl washer
49	E11-6801	Oscillating slider cover
50	E15-0202	Oscillating slider cover screw
51	B53-6100	Worm shaft washer
52	E29-6701	Worm shaft retainer
53	E29-6601	Worm shaft collar
54	F01-0301	Rear cover
55	E24-8102	Rear cover screw
56	B95-9301	Anti-reverse pawl plate
57	E27-1301	Anti-reverse pawl
58	B95-9501	Anti-reverse pawl collar
59	B95-9602	Anti-reverse pawl spring A
60	B00-8601	Anti-reverse pawl screw
61	E29-6901	Anti-reverse pawl spring B
62	E34-1501	Drive gear
63	375-2500	Drive gear washer
64	634-1301	Ball bearing
65	F00-9801	Left side cover
66	E15-8601	Side cover screw A
67	E13-0501	Side cover screw B
68	E15-8602	Side cover screw C
69	F02-0401	Handle assembly
70	501-8501	Handle collar
72	F03-5602	Handle lock screw

PR1000H Special Parts

Key No.	Parts No.	Parts Name
2-9	E39-1201	Spool assembly
6	E39-1101	Spool assembly
14	E38-1501	Rotor
22	E38-1601	Bail
36	F00-9403	Body
65	F00-9804	Left side cover