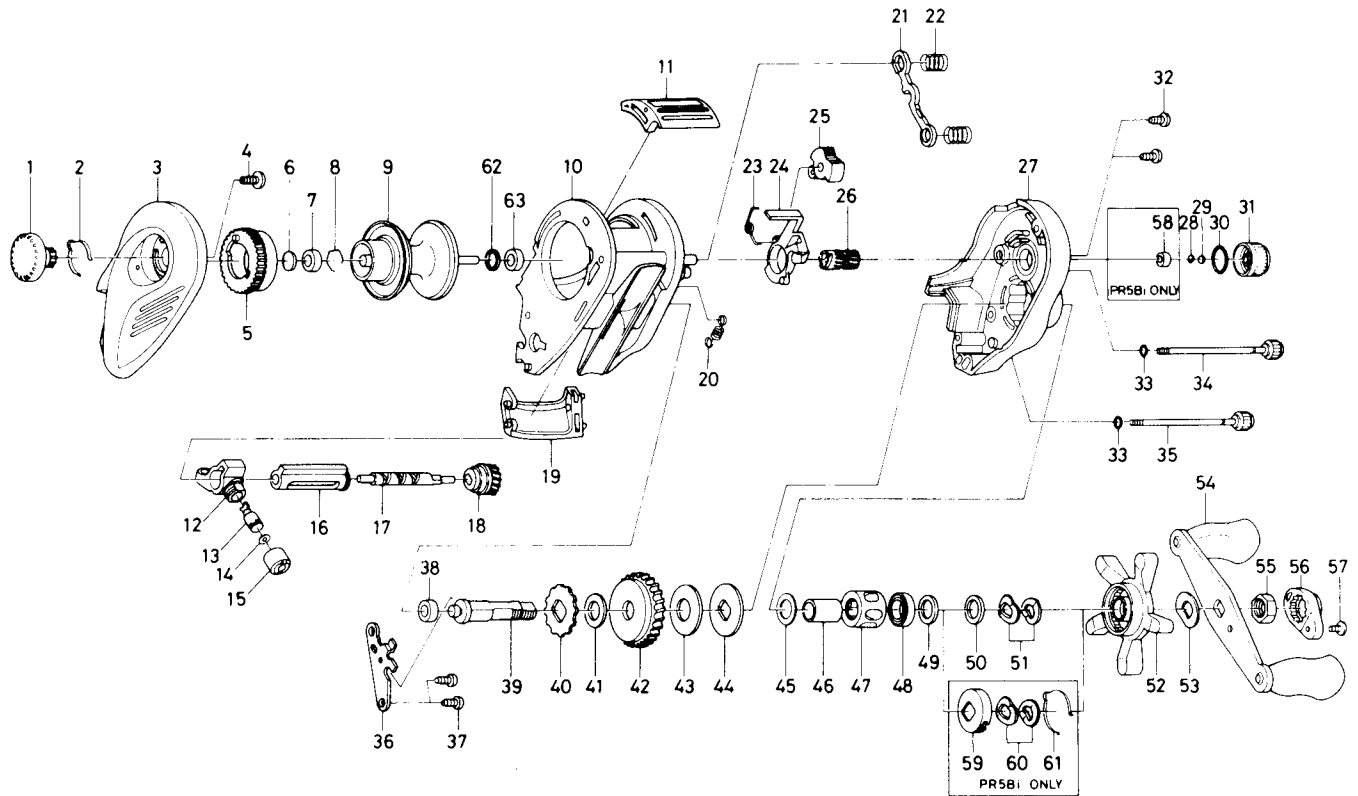


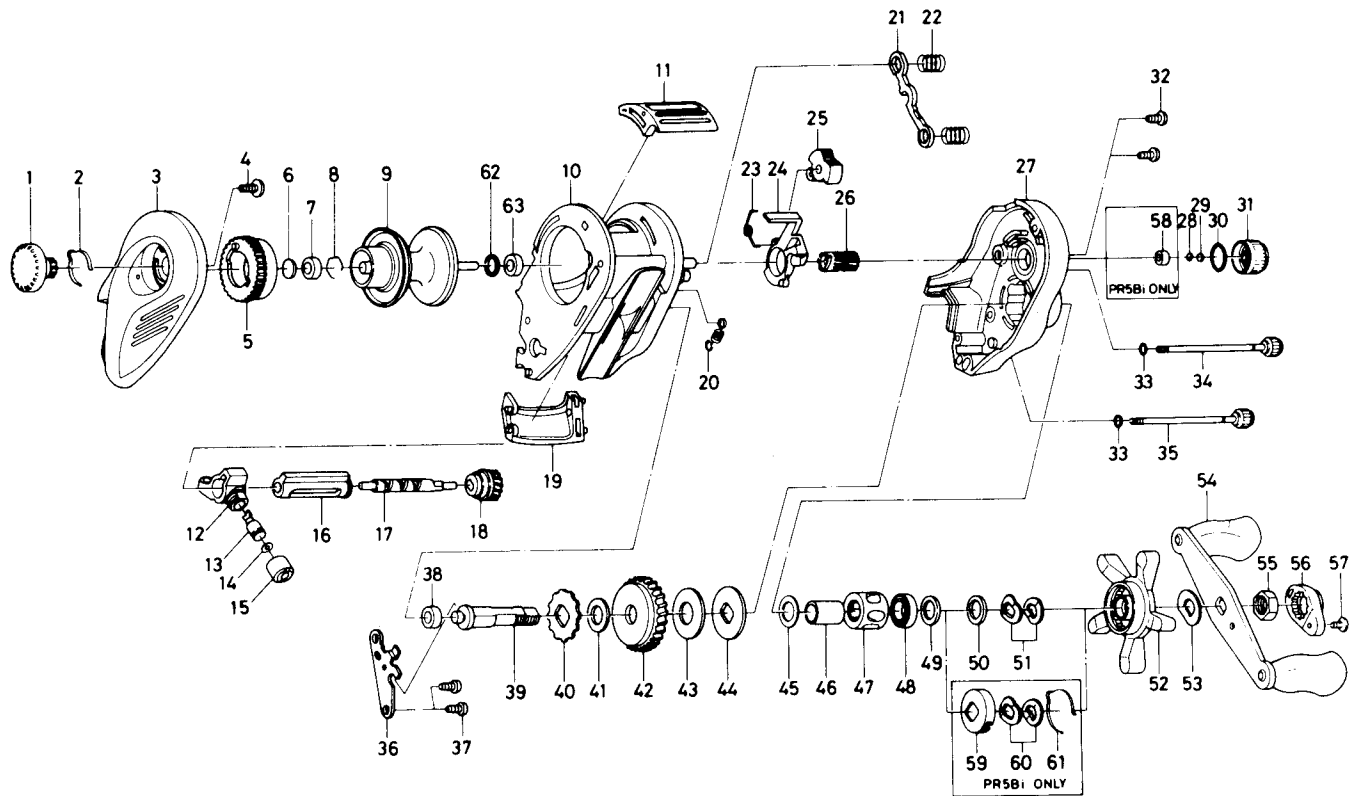
# BAITCASTING REEL — PR1-5Bi/PR1-2Bi



Key No.	Parts No.	Parts Name
1	F 16-6602	Brake adjusting knob
2	F05-1702	Brake click spring
3	F 16-6402	Left side plate
4	B84-2102	Brake adjusting knob screw
5	E23-9501	Magnet holder
6	375-7405	Spacer A
7	B55-0301	Bushing A
8	B42-1601	Bearing retainer A
9	F 16-6701	Spool assembly
10	F 16-4601	Frame assembly
11	F 16-5001	Clutch lever
12	F 16-5901	Line guide
13	121-4212	Line guide pawl
14	375-4101	Line guide washer
15	342-4801	Pawl cap
16	E23-8201	Level wind guard
17	E24-7103	Worm shaft
18	F 16-5801	Worm shaft gear
19	F 16-4902	Line guard
20	144-2501	Clutch trip plate spring
21	E23-7701	Yoke
22	E 16-7101	Yoke spring
23	E24-9001	Clutch cam spring
24	E23-7401	Clutch cam
25	E24-9101	Flipping/casting selector
26	F 16-5501	Pinion gear
27	F 16-6103	Right side plate
28	E 16-9201	Spool adjusting cap metal

Key No.	Parts No.	Parts Name
29	E 17-0501	Spacer B
30	171-5201	"O" ring A
31	F 12-4602	Cast control cap
32	E33-0401	Set plate screw
33	B85-3101	"O" ring B
34	B91-1715	Right side plate screw
35	B91-1715	Right side plate screw
36	F 16-5401	Drive shaft retainer
37	B83-4402	Drive shaft retainer screw
38	B55-0301	Bushing B
39	F 16-5301	Drive shaft
40	E32-7701	Anti-reverse ratchet
41	375-7103	Drive shaft washer
42	F 16-5601	Drive gear
43	B36-0209	Drag washer
44	B36-0303	Key washer
45	E42-5401	Spacing sleeve A
46	F05-3301	Gear shaft collar
47	E42-1401	Roller clutch
48	F05-5501	Ball bearing A
49	373-7803	Ball bearing collar
50	373-7810	Spacing sleeve B
51	150-8901	Drag spring washer
52	F02-8301	Star drag
53	150-9001	Friction washer
54	E30-5201	Handle assembly
55	B43-3601	Handle nut
56	F05-4401	Handle nut plate

# BAITCASTING REEL — PR1-5Bi/PR1-2Bi



Key No.	Parts No.	Parts Name
57	351-1803	Handle nut plate screw
62	F12-0701	Bearing retainer B
63	B35-8601	Ball bearing B

## PR1-5Bi Special Parts

1	F16-6601	Brake adjusting knob
3	F16-6401	Left side plate
7	B35-8601	Ball bearing C
19	F16-4901	Line guard
27	F16-6101	Right side plate
38	B35-8601	Ball bearing D
54	F16-8301	Handle assembly
58	E24-8501	Ball bearing E
59	F02-8201	Click leaf spring holder
60	150-8901	Drag spring washer
61	F03-2401	Click leaf spring