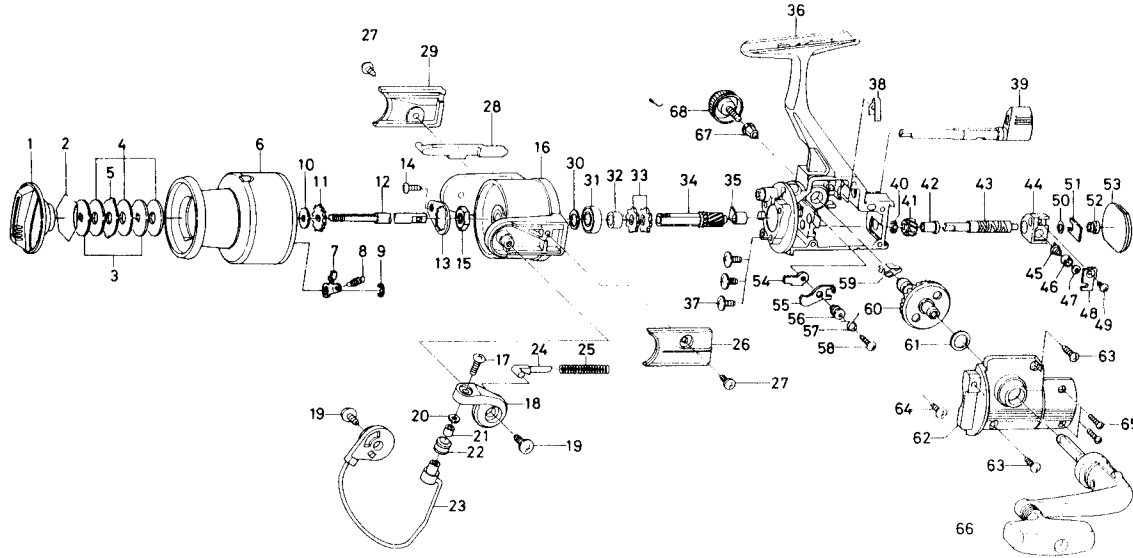


# SPINNING REEL PM1600H/2000H



Key No. 2-9  
6-E37-8303 Spool assembly

Key No.	Parts No.	Parts Name
1	E38-6301	Drag knob
2	171-7701	Drag washer retainer
3	F01-2001	Key washer
4	E13-6003	Drag washer
5	373-3603	Eared washer
6	E37-8403	Spool assembly
7	B07-5303	Click pawl
8	E40-3101	Click spring
9	320-5901	Click retainer
10	E39-7901	Spool washer
11	270-6901	Click gear
12	E37-7001	Main shaft
13	B66-2601	Rotor nut holding plate
14	B93-3001	Rotor nut holding plate screw
15	B10-5701	Rotor nut
16	E40-5102	Rotor
17	B67-9304	Line roller screw
18	F00-8501	Bail arm
19	E00-7101	Bail arm screw
20	B55-4301	Line roller washer
21	B45-1501	Line roller bushing
22	E22-5101	Line roller
23	E38-6201	Bail
24	E36-4401	Bail spring shaft
25	E37-7801	Bail spring
26	E37-7902	Bail spring cover
27	E36-4201	Bail spring cover screw
28	F01-1601	Bail trip lever
29	E37-8202	Bail trip cover
30	371-2827	Ball bearing retaining washer
31	B54-6001	Ball bearing
32	F01-1401	Spacing sleeve
33	E37-6701	Anti-reverse ratchet
34	E37-6601	Pinion gear
35	B88-0001	Pinion collar
36	E38-5801	Body
37	E03-7801	Bearing retainer screw

Key No.	Parts No.	Parts Name
38	E26-8701	Anti-reverse cam spring
39	E37-6002	Anti-reverse lever
40	320-5901	Worm shaft gear retainer
41	E37-6501	Worm shaft gear
42	E39-3501	Worm shaft bush
43	E37-6401	Worm shaft
44	E37-6301	Oscillating slider
45	E19-1201	Oscillating pawl
46	E19-1301	Oscillating pawl bush
47	375-0800	Oscillating pawl washer
48	E37-6901	Oscillating slider cover
49	E40-1501	Oscillating slider cover sc
50	375-4100	Worm shaft washer
51	E36-3801	Worm shaft retainer
52	E39-3601	Worm shaft collar
53	F01-9501	Rear cover
54	B96-5301	Anti-reverse pawl plate
55	E27-7002	Anti-reverse pawl
56	B96-5501	Anti-reverse pawl collar
57	B96-5601	Anti-reverse pawl spring
58	B00-9701	Anti-reverse pawl screw
59	E37-7201	Anti-reverse pawl spring
60	E37-7101	Drive gear
61	373-7800	Drive gear washer
62	E38-6001	Side cover
63	E15-8601	Side cover screw A
64	E15-8602	Side cover screw B
65	E11-9601	Side cover screw C
66	E38-7103	Handle assembly
67	E12-7501	Handle collar
68	F03-5601	Handle lock screw

PM2000H Special Parts		
2-9	E38-0403	Spool assembly
6	E38-0503	Spool assembly
16	E40-5202	Rotor
23	E38-6601	Bail
53	F01-9504	Rear cover
66	E38-9103	Handle assembly