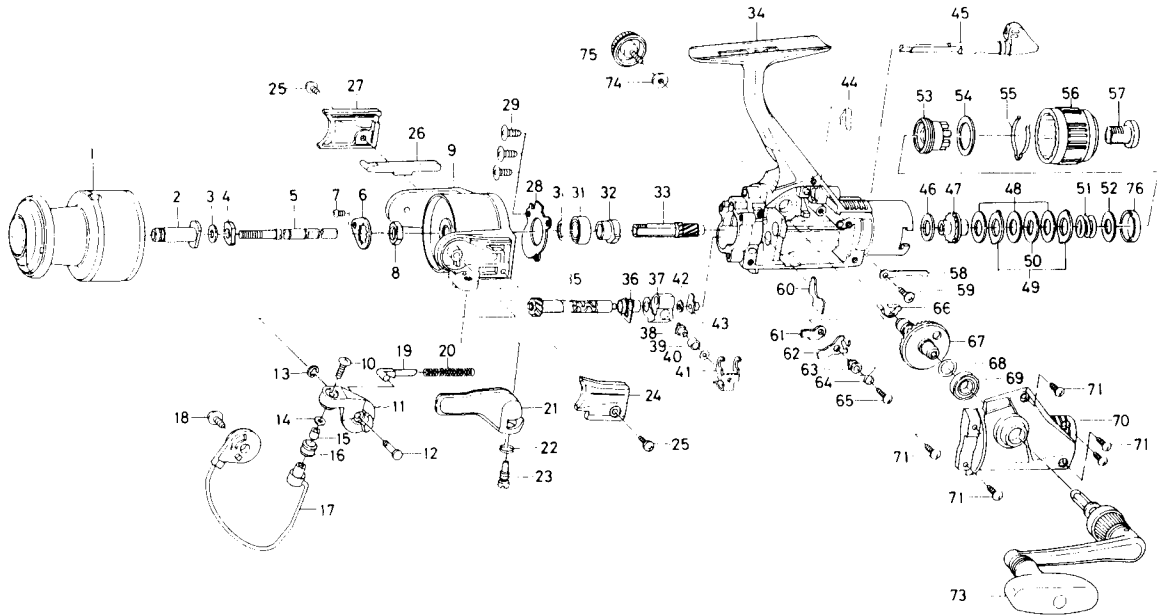


SPINNING REEL — PM1655



Key

| No. | Part No. | Part Name | Price |
|-----|----------|-------------------------------|-------|
| 1 | F10-9302 | Spool assembly | 11.50 |
| 2 | E48-4001 | Spool metal | 2.80 |
| 3 | 375-3002 | Spool washer | .45 |
| 4 | E18-8801 | Main shaft washer | .95 |
| 5 | E48-3001 | Main shaft | 3.70 |
| 6 | B66-2601 | Rotor nut holding plate | 1.10 |
| 7 | B93-3001 | Rotor nut holding plate screw | .45 |
| 8 | B10-5701 | Rotor nut | .65 |
| 9 | F01-1506 | Rotor | 6.40 |
| 10 | B67-9304 | Line roller screw | .40 |
| 11 | E36-9501 | Bail arm | 1.65 |
| 12 | E36-9601 | Bail arm screw | 1.40 |
| 13 | 320-5901 | Bail arm screw retainer | .50 |
| 14 | B55-4301 | Line roller washer | .40 |
| 15 | B45-1501 | Line roller bushing | .60 |
| 16 | 250-3921 | Line roller | .90 |
| 17 | F10-9601 | Bail assembly | 4.65 |
| 18 | E00-7101 | Bail trip cam screw | .45 |
| 19 | E36-4401 | Bail spring shaft | .70 |
| 20 | E51-4401 | Bail spring | .70 |
| 21 | E36-9801 | Trigger lever | 2.70 |
| 22 | E36-9901 | Trigger spring | .70 |
| 23 | E41-7801 | Trigger screw | 1.15 |
| 24 | F01-1702 | Bail spring cover | 1.65 |
| 25 | E36-4202 | Bail spring cover screw | .60 |
| 26 | F01-1602 | Bail trip lever | 1.70 |
| 27 | E37-8206 | Bail trip cover | 1.90 |
| 28 | E48-2901 | Bearing retainer | .70 |
| 29 | E03-7801 | Bearing retainer screw | .60 |
| 30 | 371-2827 | Bearing washer | .60 |
| 31 | B54-6001 | Ball bearing A | 7.70 |
| 32 | E40-1001 | Anti-reverse ratchet | 1.10 |
| 33 | E48-4101 | Pinion gear | 7.50 |
| 34 | F10-9401 | Body assembly | 19.85 |
| 35 | F10-3601 | Worm shaft | 8.60 |
| 36 | E48-2701 | Worm shaft bush | .95 |
| 37 | F10-5101 | Oscillating slider | 3.20 |
| 38 | E19-1202 | Oscillating pawl | 4.55 |

Key

| No. | Part No. | Part Name | Price |
|-----|----------|----------------------------|-------|
| 39 | E19-1301 | Oscillating pawl bush | 3.10 |
| 40 | 375-0800 | Oscillating pawl washer | .40 |
| 41 | F10-5201 | Oscillating slider cover | 1.40 |
| 42 | B53-6100 | Worm shaft washer | .35 |
| 43 | F05-6901 | Worm shaft collar | .95 |
| 44 | E26-8701 | Anti-reverse cam spring | .60 |
| 45 | F05-9905 | Anti-reverse lever | 1.40 |
| 46 | B46-9505 | Drag washer A | .45 |
| 47 | E48-3201 | Click gear | 1.70 |
| 48 | E14-3301 | Drag washer B | .65 |
| 49 | B83-9501 | Eared washer | .55 |
| 50 | E02-4401 | Key washer | .60 |
| 51 | B98-2901 | Drag coil spring | .70 |
| 52 | B27-0703 | Drag screw washer A | .60 |
| 53 | E48-3301 | Drag screw | 2.95 |
| 54 | F12-0601 | Drag screw washer B | .90 |
| 55 | F13-6701 | Drag washer spring | .70 |
| 56 | F10-3702 | Drag knob | 3.00 |
| 57 | F05-7801 | Drag knob screw | 1.45 |
| 58 | E48-3101 | Click leaf spring | 1.15 |
| 59 | E36-4202 | Click leaf spring screw | .60 |
| 60 | E48-2801 | Shield plate | .70 |
| 61 | B96-5301 | Anti-reverse pawl plate | .75 |
| 62 | E27-7002 | Anti-reverse pawl | 1.10 |
| 63 | B96-5501 | Anti-reverse pawl collar | .95 |
| 64 | B96-5601 | Anti-reverse pawl spring A | .70 |
| 65 | B00-9701 | Anti-reverse pawl screw | .45 |
| 66 | E37-7201 | Anti-reverse pawl spring B | 1.65 |
| 67 | E41-8601 | Drive gear | 3.90 |
| 68 | 373-7803 | Drive gear washer | .40 |
| 69 | 631-6901 | Ball bearing B | 6.85 |
| 70 | F10-9501 | Side cover | 6.90 |
| 71 | E15-8602 | Side cover screw | .60 |
| 73 | E41-8701 | Handle assembly | 8.75 |
| 74 | F02-0201 | Handle lock washer | .35 |
| 75 | F03-5601 | Handle lock screw | 1.65 |
| 76 | F15-6501 | Drag screw collar | 1.10 |