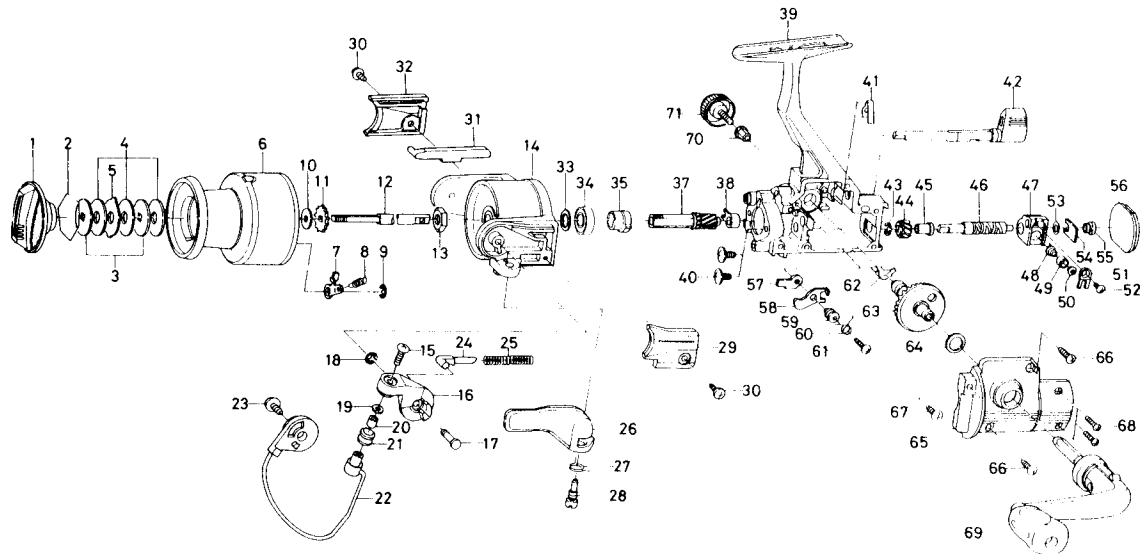


SPINNING REEL PM1305H



Key No. 2-9
E37-4602 Spool assembly

Key No.	Parts No.	Parts Name	Key No.	Parts No.	Parts Name
1	E27-2804	Drag knob	37	E36-9201	Pinion gear
2	171-7701	Drag washer retainer	38	E24-3301	Pinion holder
3	E13-6101	Key washer	39	E36-7101	Body
4	E13-6003	Drag washer	40	E03-7801	Bearing retainer screw
5	373-3603	Eared washer	41	E26-8701	Anti-reverse cam spring
6	E37-4502	Spool assembly	42	E36-3202	Anti-reverse lever
7	B07-5303	Click pawl	43	B33-9801	Worm shaft gear retainer
8	E40-3101	Click spring	44	F00-5601	Worm shaft gear
9	320-5901	Click retainer	45	E39-3501	Worm shaft bush
10	E39-4001	Spool washer	46	E27-1601	Worm shaft
11	E36-5301	Click gear	47	F02-4301	Oscillating slider
12	E36-3901	Main shaft	48	E19-1201	Oscillating pawl
13	341-9201	Rotor nut	49	E19-1301	Oscillating pawl bush
14	E36-8002	Rotor	50	375-0800	Oscillating pawl washer
15	B67-9302	Line roller screw	51	E24-4901	Oscillating slider cover
16	E36-9501	Bail arm	52	E15-0202	Oscillating slider cover screw
17	E36-9601	Bail arm screw	53	375-4100	Worm shaft washer
18	320-5901	Bail arm screw retainer	54	E36-3801	Worm shaft retainer
19	B55-4301	Line roller washer	55	E39-3601	Worm shaft collar
20	B45-1501	Line roller bushing	56	E36-7502	Rear cover
21	E22-5101	Line roller	57	B95-9301	Anti-reverse pawl plate
22	E37-1401	Bail	58	E27-1301	Anti-reverse pawl
23	E00-7101	Bail trip cam screw	59	B95-9501	Anti-reverse pawl collar
24	E36-4401	Bail spring shaft	60	B95-9602	Anti-reverse pawl spring A
25	E39-0601	Bail spring	61	B00-8601	Anti-reverse pawl screw
26	E36-9801	Trigger lever	62	E24-5301	Anti-reverse pawl spring B
27	E36-9901	Trigger spring	63	F00-5701	Drive gear
28	E37-0001	Trigger screw	64	375-8500	Drive gear washer
29	E36-9702	Bail spring cover	65	E36-7301	Left side cover
30	E36-4201	Bail spring cover screw	66	E15-8601	Side cover screw A
31	E36-5001	Bail trip lever	67	E15-8602	Side cover screw B
32	E36-5101	Bail trip cover	68	E11-9601	Side cover screw C
33	375-8503	Ball bearing retaining washer	69	F02-0103	Handle assembly
34	L03-6601	Ball bearing	70	501-8501	Handle collar
35	F03-7501	Anti-reverse ratchet	71	F03-5601	Handle lock screw