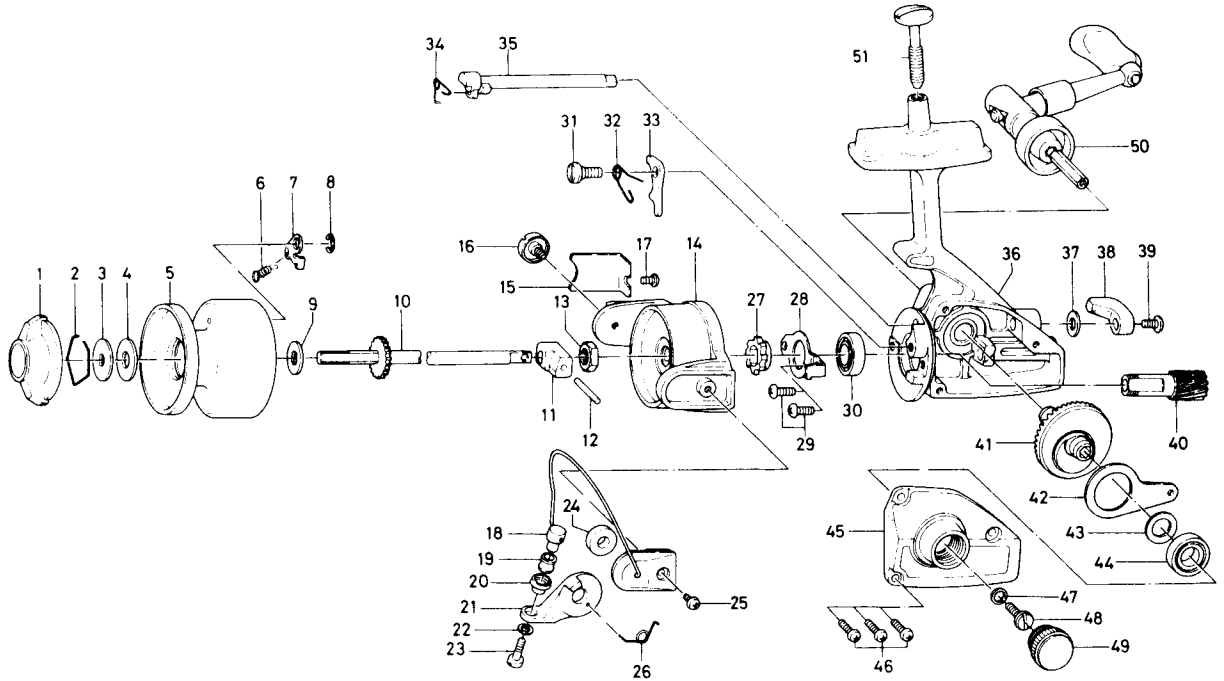


SPINNING REEL **Mini-Spin (MS-1)**



KEY NO. 2 ~ 8
6-732-2724

SPOOL ASSEMBLY

| Key No. | Parts No. | Parts Name | Key No. | Parts No. | Parts Name |
|---------|-----------|---------------------------|---------|-----------|-------------------------------|
| 1 | 740-2802 | Drag knob | 27 | 280-6211 | Ratchet |
| 2 | 170-7701 | Drag washer retainer | 28 | 320-8811 | Ball bearing ret. washer |
| 3 | 374-9801 | Drag D washer | 29 | 361-0901 | Ball bearing ret. washer scre |
| 4 | 374-3602 | Disc washer | 30 | 637-5701 | Ball bearing |
| 5 | 733-1910 | Spool | 31 | 363-4201 | Anti-reverse claw screw |
| 6 | 145-2101 | Spool click claw spring | 32 | 144-3711 | Anti-reverse claw spring |
| 7 | B07-5301 | Spool click claw | 33 | 111-4801 | Anti-reverse claw |
| 8 | 320-5901 | Spool click claw retainer | 34 | 144-3611 | Anti-reverse cam spring |
| 9 | 372-3501 | Spool washer | 35 | 461-3601 | Anti-reverse cam |
| 10 | 711-0411 | Main shaft | 36 | 700-9901 | Body |
| 11 | 636-3611 | Oscillating support | 37 | 371-6903 | Anti-reverse lever washer |
| 12 | 121-7901 | Oscillating slider pin | 38 | 541-3701 | Anti-reverse lever |
| 13 | 341-9201 | Rotor nut | 39 | 353-4401 | Anti-reverse lever screw |
| 14 | 201-8523 | Rotor | 40 | 402-2201 | Pinion gear |
| 15 | 040-7101 | Bail spring cover | 41 | 413-4111 | Drive gear |
| 16 | 363-4301 | Arm lever screw | 42 | 481-1331 | Oscillating slider |
| 17 | 351-0901 | Bail spring cover screw | 43 | 375-8500 | Drive gear washer |
| 18 | 725-6521 | Bail | 44 | 636-6611 | Bearing metal |
| 19 | 250-1921 | Line roller | 45 | 760-2106 | Body cover |
| 20 | 501-4411 | Roller collar | 46 | 351-7801 | Body cover screw |
| 21 | 231-2501 | Arm lever | 47 | 372-4601 | Handle washer |
| 22 | 375-4301 | Bail washer | 48 | 362-1001 | Handle screw |
| 23 | 363-4411 | Bail screw | 49 | B03-4802 | Handle screw cap |
| 24 | 210-6401 | Balancer | 50 | 746-3314 | Handle |
| 25 | 352-0401 | Bail holder screw | 51 | 363-6701 | Reel retaining screw |
| 26 | 144-3821 | Bail spring | | | |