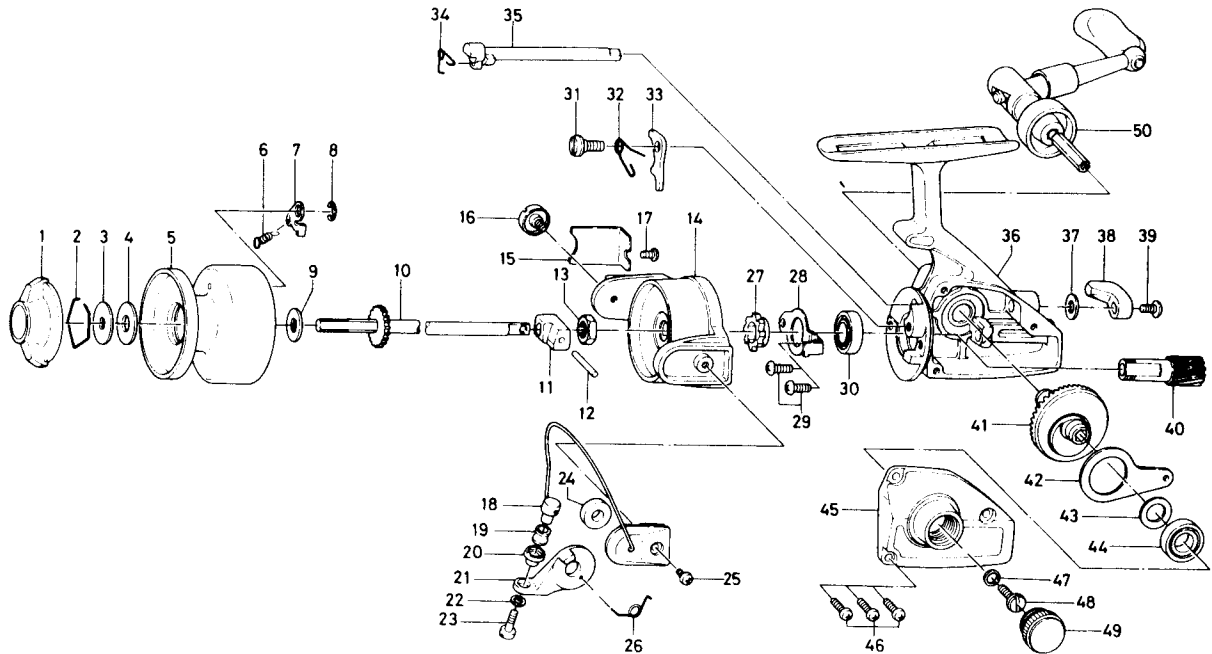


SPINNING REEL **Mini-Mite (MM-1)**



KEY NO. 2 ~ 8
6-732-2723

SPOOL ASSEMBLY

Key No.	Parts No.	Parts Name	Key No.	Parts No.	Parts Name
1	740-2802	Drag knob	26	144-3821	Bail spring
2	170-7701	Drag washer retainer	27	280-6211	Ratchet
3	374-9802	Drag D washer	28	320-8811	Ball bearing ret. washer
4	374-3602	Disc washer	29	351-0901	Ball bearing ret. washer screw
5	513-6115	Spool	30	637-5701	Ball bearing
6	142-0011	Spool click claw spring	31	363-4201	Anti-reverse claw screw
7	B07-5301	Spool click claw	32	144-3711	Anti-reverse claw spring
8	320-5901	Spool click claw retainer	33	111-4801	Anti-reverse claw
9	372-3501	Spool washer	34	144-3611	Anti-reverse cam spring
10	711-0411	Main shaft	35	461-3601	Anti-reverse cam
11	636-3611	Oscillating support	36	700-7706	Body
12	121-7901	Oscillating slider pin	37	371-6903	Anti-reverse lever washer
13	341-9201	Rotor nut	38	541-3701	Anti-reverse lever
14	201-8522	Rotor	39	353-4401	Anti-reverse lever screw
15	040-7101	Bail spring cover	40	402-2201	Pinion gear
16	363-4301	Arm lever screw	41	413-4111	Drive gear
17	351-0901	Bail spring cover screw	42	481-1331	Oscillating slider
18	725-6521	Bail	43	375-8500	Drive gear washer
19	250-1921	Line roller	44	637-5701	Ball bearing
20	501-4411	Roller collar	45	706-2105	Body cover
21	231-2501	Arm lever	46	351-7801	Body cover screw
22	375-4301	Bail washer	47	372-4601	Handle washer
23	363-4411	Bail screw	48	362-1001	Handle screw
24	210-6401	Balancer	49	B03-4802	Handle screw cap
25	352-0401	Bail holder screw	50	746-3314	Handle