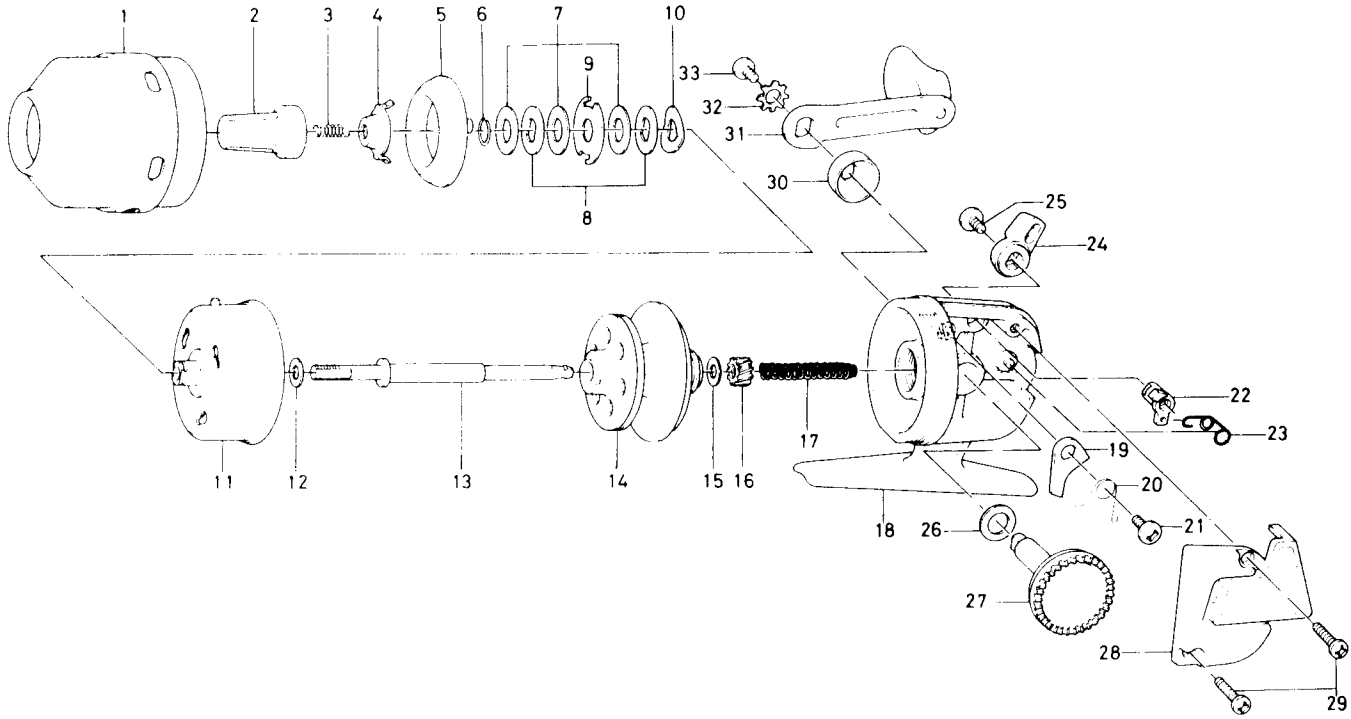


SPINCASTING REEL

MINICAST-2 (MC-2)



Key No.	Parts No.	Parts Name
1	755-1702	Front cover
2	441-6001	Drag knob
3	145-1501	Drag spring
4	376-1312	Drag adjusting plate
5	330-4601	Line stopper
6	171-7801	Drag washer retainer
7	376-1101	Drag washer A
8	376-1001	Drag washer B
9	376-1201	Drag washer C
10	150-6801	Drag washer D
11	736-7301	Rotor assembly
12	376-0901	Rotor washer
13	711-4911	Main shaft
14	800-1440	Spool
15	373-4501	Pinion washer
16	402-3301	Pinion gear
17	144-0701	Main shaft spring

Key No.	Parts No.	Parts Name
18	193-3802	Body
19	111-8501	Anti-reverse claw
20	144-5111	Anti-reverse claw spring
21	350-1931	Anti-reverse claw screw
22	461-7601	Anti-reverse cam
23	B09-1401	Anti-reverse cam spring
24	541-3132	Anti-reverse lever
25	351-4701	Anti-reverse lever screw
26	373-0100	Drive gear washer
27	413-1511	Drive gear
28	707-0102	Body cover
29	351-1101	Body cover screw
30	636-0401	Handle cap
31	747-7201	Handle
32	160-8001	Handle washer
33	352-1102	Handle screw