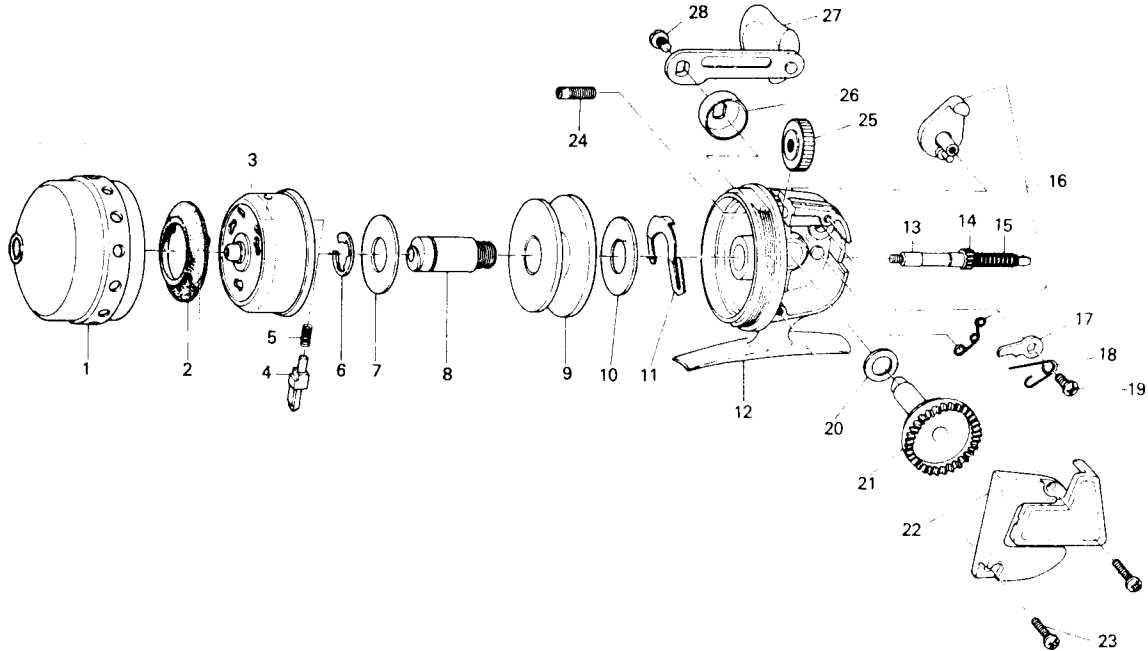


SPINCASTING REEL

Minicast-1 (MC-1)



KEY NO. 2 ~ 5
6-735-4711

ROTOR ASSEMBLY

KEY NO. 13 ~ 15
6-710-9201

MAIN SHAFT ASSEMBLY

Key No.	Parts No.	Parts Name
1	755-0706	Front cover
2	330-3901	Line stopper
3	735-4711	Rotor
4	180-3711	Pick up pin
5	151-4701	Pick up pin spring
6	320-3601	Spool retainer
7	373-4412	Spool washer
8	381-4711	Shaft metal
9	731-2601	Spool
10	373-4412	Spool washer
11	151-4821	Drag adjusting plate
12	700-6322	Body
13	393-0701	Main shaft
14	402-3301	Pinion gear

Key No.	Parts No.	Parts Name
15	144-0710	Main shaft spring
16	781-1721	Anti-reverse lever
17	111-3911	Anti-reverse claw
18	144-0511	Anti-reverse claw spring
19	351-1801	Anti-reverse claw screw
20	373-0100	Drive gear washer
21	413-1511	Drive gear
22	705-8907	Body cover
23	351-1101	Body cover screw
24	353-2521	Drag adjusting screw
25	342-2401	Drag adjusting dial
26	636-0401	Handle cap
27	746-0101	Handle
28	352-1102	Handle screw