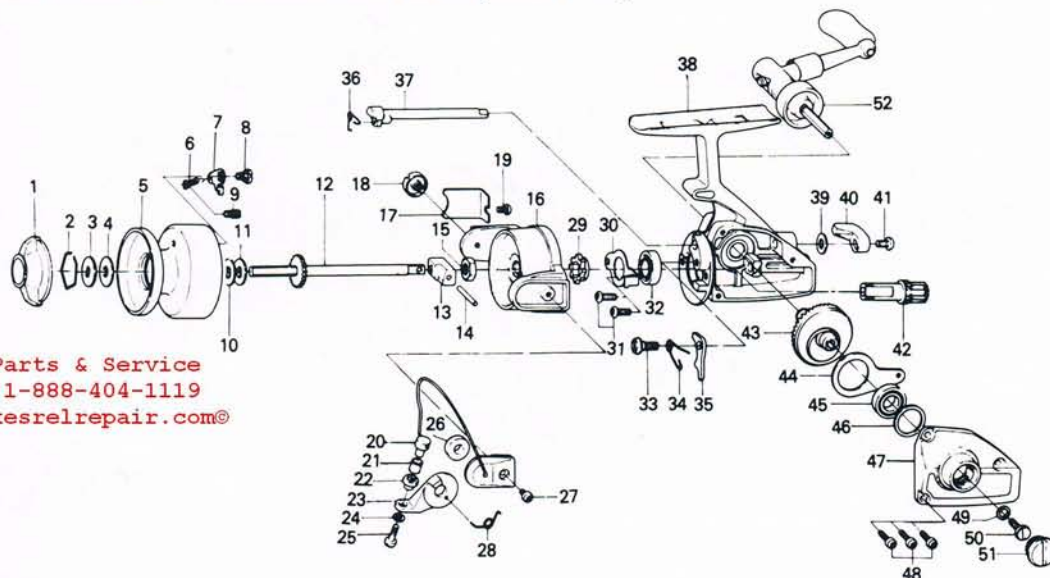


SPINNING REEL **Mini-Mite (MM-1)**



For Parts & Service
Call 1-888-404-1119
www.mikesrelrepair.com®

LINE CAPACITY: 110 YDS., 4 LB. TEST (100m. 1.8kg)

Key No. 2 ~ 9

6-732-2711 Spool assembly

Key No.	Parts No.	Parts Name	Key No.	Parts No.	Parts Name
1	6-740-2801	Drag knob	27	6-352-0401	Bail holder screw
2	6-170-7701	Drag washer retainer	28	6-144-3821	Bail spring
3	6-374-9802	Drag D. washer	29	6-280-6211	Ratchet
4	6-374-3602	Disc washer	30	6-320-8811	Ball bearing ret. washer
5	6-513-6102	Spool	31	6-351-0901	Ball bearing ret. washer screw
6	6-142-0011	Spool click claw spring	32	6-634-1301	Ball bearing
7	6-030-5311	Spool click claw	33	6-363-4201	Anti-reverse claw screw
8	6-363-4501	Spool click claw screw	34	6-144-3711	Anti-reverse claw spring
9	6-361-7402	Spool click claw spring screw	35	6-111-4801	Anti-reverse claw
10	6-372-3501	Spool washer	36	6-144-3601	Anti-reverse cam spring
11	6-372-3502	Spool adjusting washer	37	6-461-3601	Anti-reverse cam
12	6-711-0401	Main shaft	38	6-700-7704	Body
13	6-636-3601	Oscillating support	39	6-371-6903	Anti-reverse lever washer
14	6-121-7901	Oscillating slider pin	40	6-541-3701	Anti-reverse lever
15	6-341-9201	Rotor nut	41	6-353-4401	Anti-reverse lever screw
16	6-201-8511	Rotor	42	6-402-2201	Pinion gear
17	6-040-7101	Bail spring cover	43	6-413-4101	Drive gear
18	6-363-4301	Arm lever screw	44	6-481-1321	Oscillating slider
19	6-351-0901	Bail spring cover screw	45	6-634-1301	Ball bearing
20	6-725-6511	Bail	46	6-372-8600	Drive gear washer
21	6-250-1901	Line roller	47	6-706-2102	Body cover
22	6-501-4411	Roller collar	48	6-351-7801	Body cover screw
23	6-231-2111	Arm lever	49	6-372-4601	Handle washer
24	6-375-4301	Bail washer	50	6-362-1001	Handle screw
25	6-363-4411	Bail screw	51	6-363-6001	Handle screw cap
26	6-210-6401	Balancer	52	6-746-3312	Handle