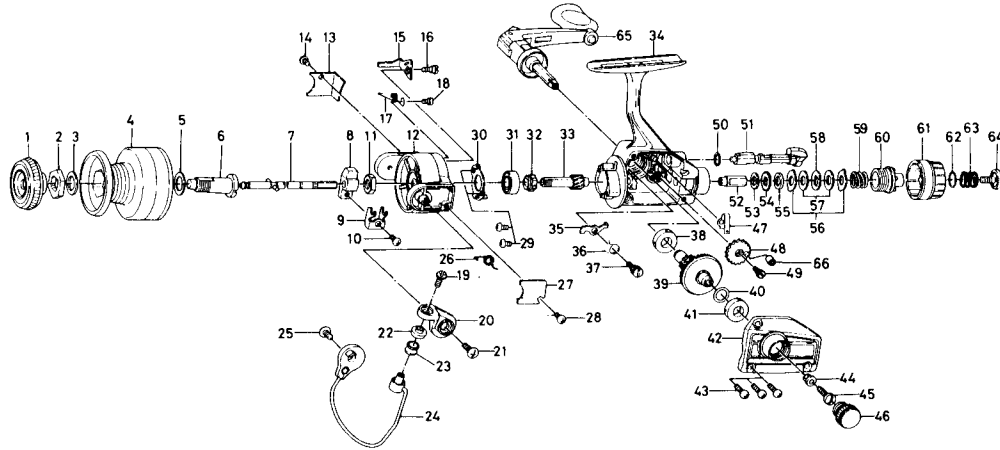




SPINNING REEL MS750(MS4)



Key No.	Parts No.	Parts Name	Key No.	Parts No.	Parts Name
1	B59-4201	Spool cap	39	B59-2001	Drive gear
2	B59-3801	Spool metal holding plate	40	375-8500	Drive gear washer
3	B60-1801	Spool washer A	41	636-6611	Bearing
4	B90-1001	Spool	42	B84-8302	Body cover
5	371-4902	Spool washer B	43	351-7801	Body cover screw
6	B59-3901	Spool metal	44	501-8501	Handle screw holder
7	B59-2101	Main shaft	45	363-8511	Handle screw
8	B59-2301	Oscillating slider	46	B03-4805	Handle screw cap
9	B59-2401	Oscillating slider retainer	47	B58-8601	Anti-reverse cam spring
10	350-8913	Oscillating slider screw	48	B59-1701	Oscillating gear
11	342-4001	Rotor nut	49	B59-1801	Oscillating gear screw
12	B59-0305	Rotor	50	B58-8501	Anti-reverse lever washer
13	B59-1301	Bail kick lever cover	51	B58-0603	Anti-reverse lever
14	351-0901	Bail kick lever cover screw	52	B58-8301	Drag washer holder
15	B59-1001	Bail kick lever	53	B58-9101	Drag washer A
16	B59-1101	Bail kick lever screw	54	B59-4501	Click gear
17	B59-1201	Bail kick lever spring	55	B58-9103	Drag washer B
18	353-8402	Bail kick lever spring screw	56	B58-9501	Drag washer C
19	352-2501	Bail screw	57	B58-9601	Drag washer D
20	B59-0701	Arm lever	58	B58-9701	Drag washer E
21	352-9501	Arm lever screw	59	B58-9801	Drag washer spring
22	B45-1601	Roller collar	60	B58-9901	Drag screw
23	250-3921	Line roller	61	B74-0901	Drag knob
24	B74-1701	Bail	62	B55-3801	Drag knob washer
25	352-9501	Bail holder screw	63	B60-2201	Drag knob spring
26	B65-9201	Bail spring	64	B60-5601	Drag knob screw
27	B59-0901	Bail spring cover	65	B90-0301	Handle
28	351-0901	Bail spring cover screw	66	B59-1901	Oscillating collar
29	351-0903	Ball bearing ret. washer screw			
30	B58-9001	Ball bearing ret. washer			
31	B18-1601	Ball bearing			
32	B58-8801	Ratchet			
33	B58-8701	Pinion gear			
34	B84-8202	Body			
35	B58-9201	Anti-reverse claw			
36	B58-9301	Anti-reverse claw spring			
37	B58-9401	Anti-reverse claw screw			
38	636-6611	Bearing			