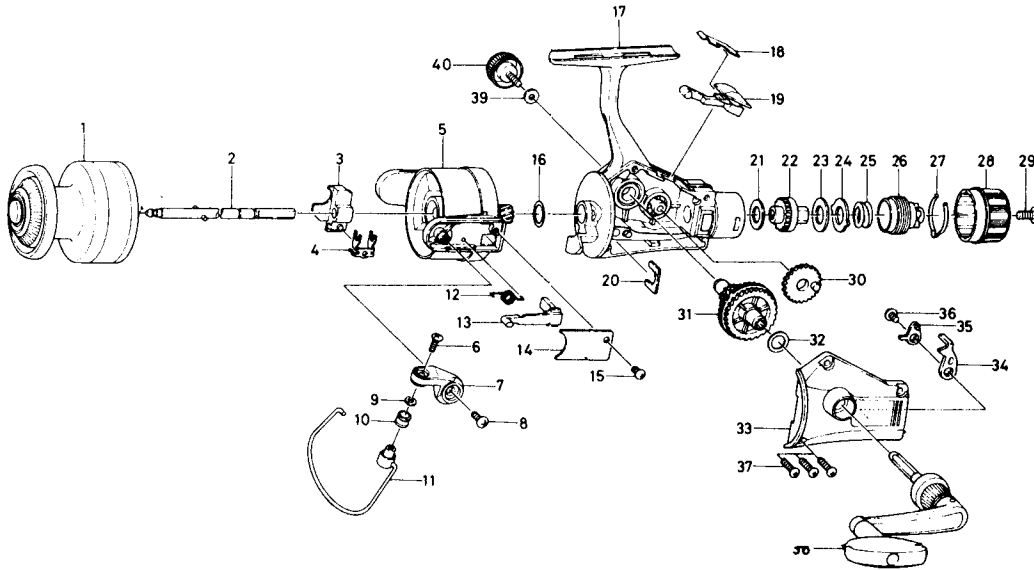


SPINNING REEL J1650/2050/MJ1650/MJ2050



Key No.	Parts No.	Parts Name
* 1		Spool
2	B77-0801	Main shaft
3	B93-7101	Oscillating slider
4	B93-7201	Oscillating slider retainer
* 5		Rotor
6	B67-9301	Line roller screw
7	B91-6701	Bail arm
8	351-6102	Bail arm screw
9	B55-4301	Line roller washer
10	250-3921	Line roller
11	B93-6801	Bail
12	B91-6501	Bail spring
13	B93-6601	Bail trip lever
14	B93-6701	Bail spring cover
15	352-0402	Bail spring cover screw
16	372-8600	Spool washer
* 17		Body
18	B79-0101	Anti-reverse cam spring
19	B84-8901	Anti-reverse lever
20	B60-3401	Pinion retainer
21	B78-6601	Drag washer A
22	B76-9801	Click gear
23	B46-9504	Drag washer B
24	373-3603	Eared washer

Key No.	Parts No.	Parts Name
25	B91-3701	Drag coil spring
26	B77-0003	Drag screw
27	B77-0301	Drag washer spring
28	B77-0401	Drag knob
29	352-1103	Drag knob spring screw
30	B74-3701	Oscillating gear
31	B93-7001	Drive gear
32	373-7800	Drive gear washer
* 33		Side cover
34	E05-2001	Anti-reverse pawl
35	B50-1201	Anti-reverse pawl plate
36	351-6102	Anti-reverse pawl screw
37	351-8504	Side cover screw
38	B93-7601	Handle
39	B92-4901	Handle lock washer
40	B92-5001	Handle screw cap

MJ2050/J2050 special parts

* 1		Spool
* 5		Rotor
11	B93-8501	Bail
* 17		Body
33	B93-7302	Side cover
38	B83-8701	Handle

*Order by model and part name due to color change.