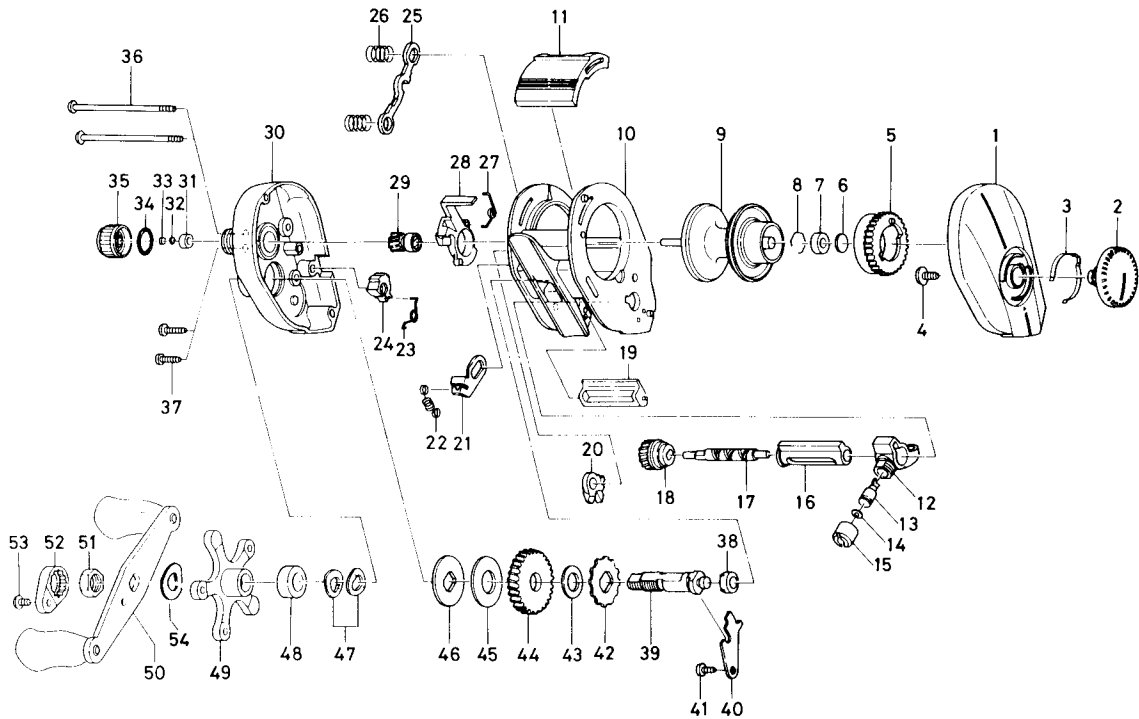


## BAITCASTING REEL MA15LG



Key No.	Parts No.	Parts Name	Key No.	Parts No.	Parts Name
1	E28-5001	Right side plate	28	E28-4001	Clutch cam
2	E23-9702	Brake adjusting knob	29	E28-4201	Pinion gear
3	B74-7702	Brake click spring	30	E28-4801	Left side plate
4	E03-7801	Brake adjusting knob screw	31	E34-2401	Bushing B
5	E23-9501	Magnet holder	32	E16-9201	Spool adjusting cap metal
6	375-7400	Spacer A	33	E17-0501	Spacer B
7	B55-0301	Bushing A	34	171-5201	"O" ring A
8	B42-1601	Bearing retainer A	35	E23-8401	Cast control cap
9	E28-5301	Spool assembly	36	E28-4901	Left side plate screw
10	E35-2401	Frame assembly	37	E13-0501	Set plate screw
11	E28-3701	Clutch lever	38	B55-0301	Bushing C
12	E16-6301	Line guide	39	E23-7501	Drive shaft
13	121-4212	Line guide pawl	40	E23-7601	Drive shaft retainer
14	375-4100	Line guide washer	41	B83-4402	Drive shaft retainer screw
15	342-4801	Pawl cap	42	E32-7701	Anti-reverse ratchet
16	E28-4701	Level wind guard	43	375-7103	Drive shaft washer
17	E28-4601	Worm shaft	44	E28-4401	Drive gear
18	E20-6001	Worm shaft gear	45	B36-0202	Drag washer
19	E28-3501	Line guard	46	B36-0301	Key washer
20	E23-8001	Anti-reverse pawl	47	150-8901	Drag spring washer
21	E28-3901	Clutch trip plate	48	E34-2301	Spacing sleeve A
22	E30-6001	Clutch trip plate spring	49	E23-8701	Star drag
23	E30-9601	Anti-reverse lever spring	50	E30-5201	Handle assembly
24	E30-9501	Anti-reverse lever	51	B43-3601	Handle nut
25	E23-7701	Yoke	52	B43-3902	Handle nut plate
26	E16-7101	Yoke spring	53	351-1801	Handle nut plate screw
27	E34-6701	Clutch cam spring	54	150-9001	Friction washer
			55	E32-6401	Spacing sleeve B