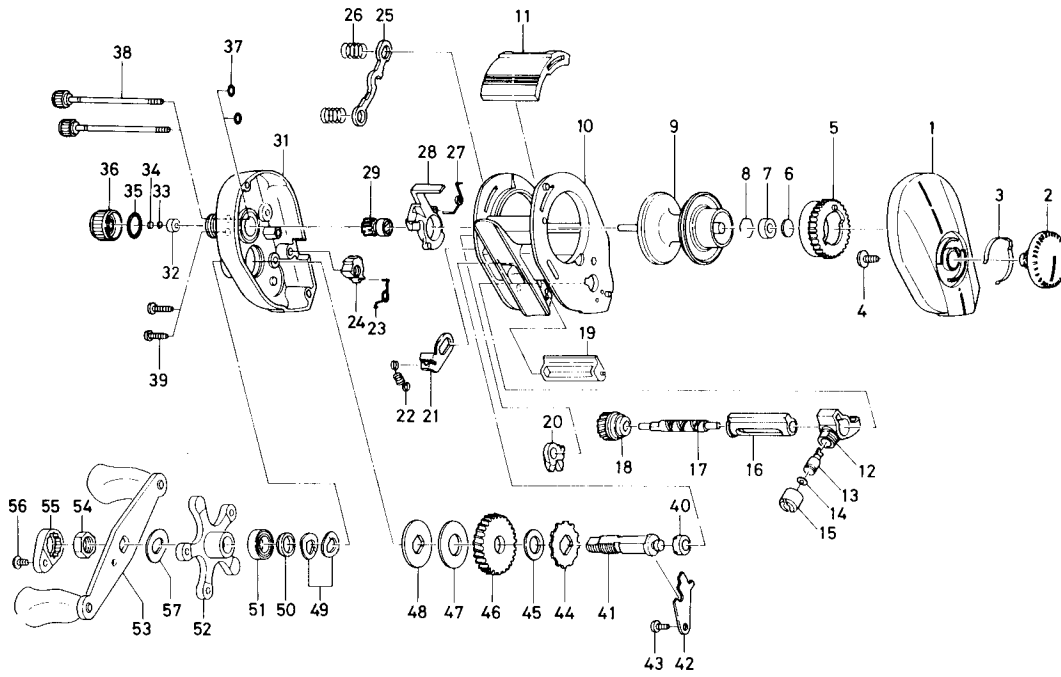


BAITCASTING REEL MA15L-2B



Key No.	Parts No.	Parts Name	Key No.	Parts No.	Parts Name
1	E 28-5002	Right side plate	29	E 28-4201	Pinion gear
2	E 23-9702	Brake adjusting knob	31	E 28-4807	Left side plate
3	B 74-7702	Brake click spring	32	E 34-2401	Bushing B
4	E 03-7801	Brake adjusting knob screw	33	E 16-9201	Spool adjusting cap m
5	E 23-9501	Magnet holder	34	E 17-0501	Spacer B
6	375-7400	Spacer A	35	171-5201	"O" ring A
7	B 55-0301	Bushing A	36	E 23-8401	Cast control cap
8	B 42-1601	Bearing retainer	37	B 85-3101	"O" ring B
9	E 28-5302	Spool assembly	38	B 91-1708	Left side plate screw
10	E 35-2402	Frame assembly	39	E 13-0501	Set plate screw
11	E 28-3702	Clutch lever	40	B 55-0301	Bushing C
12	E 16-6301	Line guide	41	E 23-7501	Drive shaft
13	121-4212	Line guide pawl	42	E 23-7601	Drive shaft retainer
14	375-4100	Line guide washer	43	B 83-4402	Drive shaft retainer scr
15	342-4801	Pawl cap	44	E 32-7701	Anti-reverse ratchet
16	E 28-4701	Level wind guard	45	375-7103	Drive shaft washer
17	E 28-4601	Worm shaft	46	E 28-4401	Drive gear
18	E 20-6001	Worm shaft gear	47	B 36-0202	Drag washer
19	E 28-3502	Line guard	48	B 36-0301	Key washer
20	E 23-8001	Anti-reverse pawl	49	150-8901	Drag spring washer
21	E 28-3901	Clutch trip plate	50	E 20-8501	Spacing sleeve
22	E 30-6001	Clutch trip plate spring	51	E 15-4001	Ball bearing
23	E 30-9601	Anti-reverse lever spring	52	E 23-8702	Star drag
24	E 30-9501	Anti-reverse lever	53	E 30-5201	Handle assembly
25	E 23-7701	Yoke	54	B 43-3601	Handle nut
26	E 16-7101	Yoke spring	55	B 43-3902	Handle nut plate
27	E 34-6701	Clutch cam spring	56	351-1801	Handle nut plate screw
28	E 28-4001	Clutch cam	57	150-9001	Friction washer