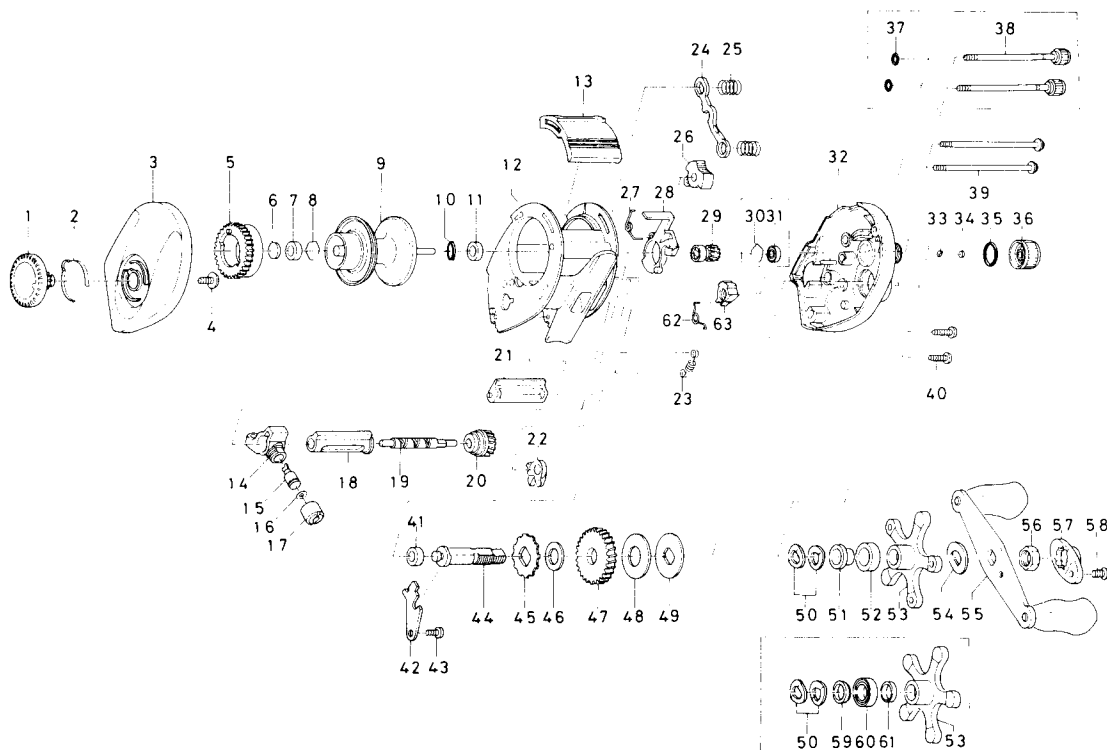


BAITCASTING REEL — MA1000X



Key

| No. | Part No. | Part Name | Price |
|-----|----------|-----------------------------|-------|
| 1 | F15-7403 | Brake adjusting knob | 2.60 |
| 2 | F03-2401 | Brake click spring | .60 |
| 3 | F13-7210 | Left side plate | 8.80 |
| 4 | B84-2102 | Brake adjusting knob screw | .50 |
| 5 | E23-9501 | Magnet holder | 2.85 |
| 6 | 375-7400 | Spacer A | .60 |
| 7 | B55-0301 | Bushing A | 1.15 |
| 8 | B42-1601 | Bearing retainer A | .45 |
| 9 | F05-4901 | Spool assembly | 10.00 |
| 10 | F12-0701 | Ball bearing retaining ring | 1.15 |
| 11 | E35-1501 | Bushing B | 1.15 |
| 12 | F05-3701 | Frame assembly | 8.50 |
| 13 | F05-4001 | Clutch lever | 1.30 |
| 14 | E16-6301 | Line guide | 4.10 |
| 15 | 121-4212 | Line guide pawl | 2.85 |
| 16 | 375-4101 | Line guide washer | .30 |
| 17 | 342-4801 | Pawl cap | 1.55 |
| 18 | E31-2001 | Level wind guard | 1.40 |
| 19 | E45-1201 | Worm shaft | 6.85 |
| 20 | F08-5201 | Worm shaft gear | 1.55 |
| 21 | F05-3902 | Line guard | 1.45 |
| 22 | E23-8001 | Anti-reverse pawl | 2.30 |
| 23 | E16-5801 | Clutch trip plate spring | .85 |
| 24 | E23-7701 | Yoke | .85 |
| 25 | E16-7101 | Yoke spring | .60 |
| 26 | E24-9101 | Flipping / casting selector | .70 |
| 27 | E24-9001 | Clutch cam spring | .60 |
| 28 | E23-7401 | Clutch cam | .85 |

Key

| No. | Part No. | Part Name | Price |
|-----|----------|----------------------------|-------|
| 29 | E42-0901 | Pinion gear | 6.95 |
| 32 | F05-4227 | Right side plate | 8.60 |
| 33 | E16-9203 | Spool adjusting cap metal | .60 |
| 34 | E17-0501 | Spacer B | .50 |
| 35 | 171-5201 | "O" ring A | 1.15 |
| 36 | F12-4601 | Cast control cap | .60 |
| 39 | E28-4901 | Right side plate screw | 1.15 |
| 40 | E33-0401 | Set plate screw | .60 |
| 41 | B55-0301 | Bushing A | 1.50 |
| 42 | E23-7601 | Drive shaft retainer | .65 |
| 43 | B83-4402 | Drive shaft retainer screw | .50 |
| 44 | E23-7501 | Drive shaft | 5.60 |
| 45 | E32-7701 | Anti-reverse ratchet | 1.15 |
| 46 | 375-7103 | Drive shaft washer | .60 |
| 47 | F12-6701 | Drive gear | 7.20 |
| 48 | B36-0202 | Drag washer | 1.10 |
| 49 | B36-0301 | Key washer | .80 |
| 50 | 150-8901 | Drive spring washer | .55 |
| 51 | E32-6401 | Spacing sleeve A | 1.15 |
| 52 | E34-6801 | Spacing sleeve B | 1.15 |
| 53 | E23-8701 | Star drag | 2.25 |
| 54 | 150-9001 | Friction washer | .45 |
| 55 | E30-5201 | Handle assembly | 4.95 |
| 56 | B43-3601 | Handle nut | 1.15 |
| 57 | F05-4401 | Handle nut plate | .95 |
| 58 | 351-1801 | Handle nut plate screw | .45 |
| 62 | F12-0501 | Anti-reverse lever spring | .70 |
| 63 | E30-9501 | Anti-reverse lever | .75 |