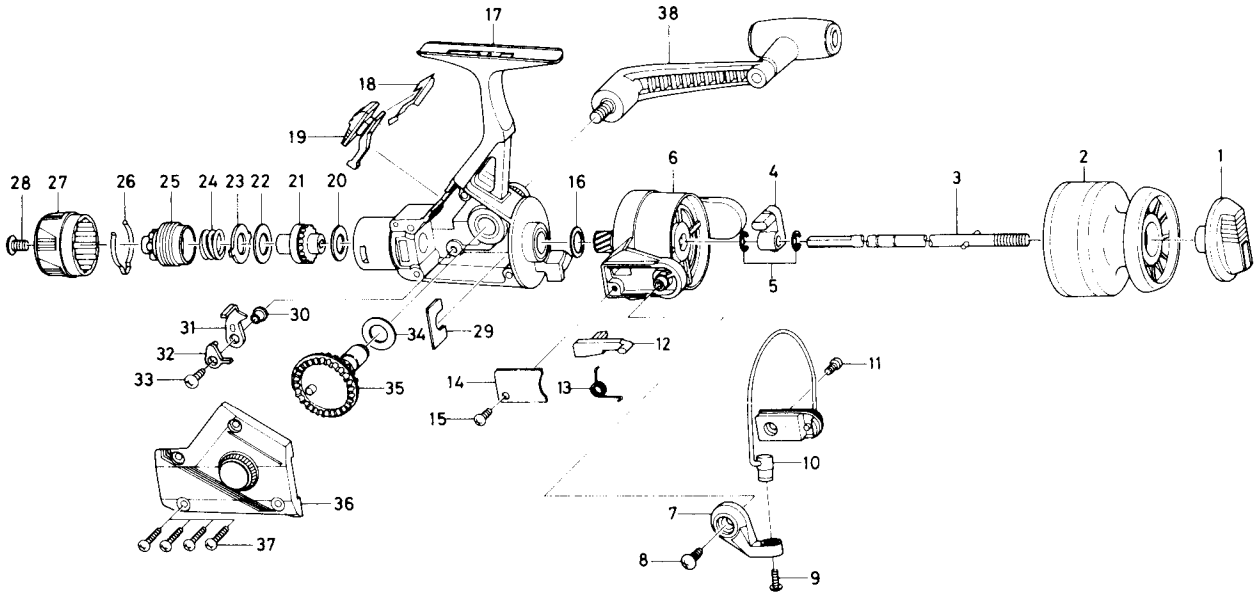


## SPINNING REEL — M1350



### Key

| No. | Part No. | Part Name                    | Price |
|-----|----------|------------------------------|-------|
| 1   | L50-3601 | Spool cap                    | .95   |
| 2   | L50-3302 | Spool assembly               | 3.75  |
| 3   | L50-2301 | Main shaft assembly          | 1.25  |
| 4   | L50-2201 | Oscillating support          | .55   |
| 5   | 320-8202 | Oscillating support retainer | .45   |
| 6   | L50-1101 | Rotor assembly               | 3.50  |
| 7   | L50-1301 | Bail arm                     | .65   |
| 8   | L00-2602 | Bail arm screw               | .45   |
| 9   | B67-9301 | Line roller screw            | .40   |
| 10  | L50-1601 | Bail                         | 2.40  |
| 11  | L01-1702 | Bail trip cam screw          | .35   |
| 12  | L50-1401 | Bail trip lever              | .80   |
| 13  | B91-6501 | Bail spring                  | .50   |
| 14  | L50-1501 | Bail spring cover            | .65   |
| 15  | L01-1702 | Bail spring cover screw      | .35   |
| 16  | 372-8600 | Rotor washer                 | .35   |
| 17  | E31-2102 | Body                         | 3.50  |
| 18  | B79-0101 | Anti-reverse cam             | .55   |
| 19  | L50-0901 | Anti-reverse lever           | .55   |

### Key

| No. | Part No. | Part Name                | Price |
|-----|----------|--------------------------|-------|
| 20  | B46-9505 | Drag washer A            | .45   |
| 21  | B76-9801 | Click gear               | .75   |
| 22  | B78-6602 | Drag washer B            | .50   |
| 23  | B83-9501 | Eared washer             | .55   |
| 24  | B91-3701 | Drag coil spring         | .65   |
| 25  | B77-0003 | Drag screw               | .50   |
| 26  | B77-0301 | Drag washer spring       | .45   |
| 27  | L04-4204 | Drag knob                | .65   |
| 28  | 352-1105 | Drag knob screw          | .55   |
| 29  | 632-6601 | Pinion retainer          | .45   |
| 30  | L50-4701 | Anti-reverse pawl collar | .55   |
| 31  | B92-0101 | Anti-reverse pawl        | .55   |
| 32  | B50-1201 | Anti-reverse pawl plate  | .60   |
| 33  | L00-1801 | Anti-reverse pawl screw  | .35   |
| 34  | 370-7500 | Drive gear washer        | .45   |
| 35  | L50-2101 | Drive gear               | 1.65  |
| 36  | L50-2503 | Side cover               | 2.75  |
| 37  | L50-4601 | Side cover screw         | .65   |
| 38  | L50-2901 | Handle assembly          | 4.40  |