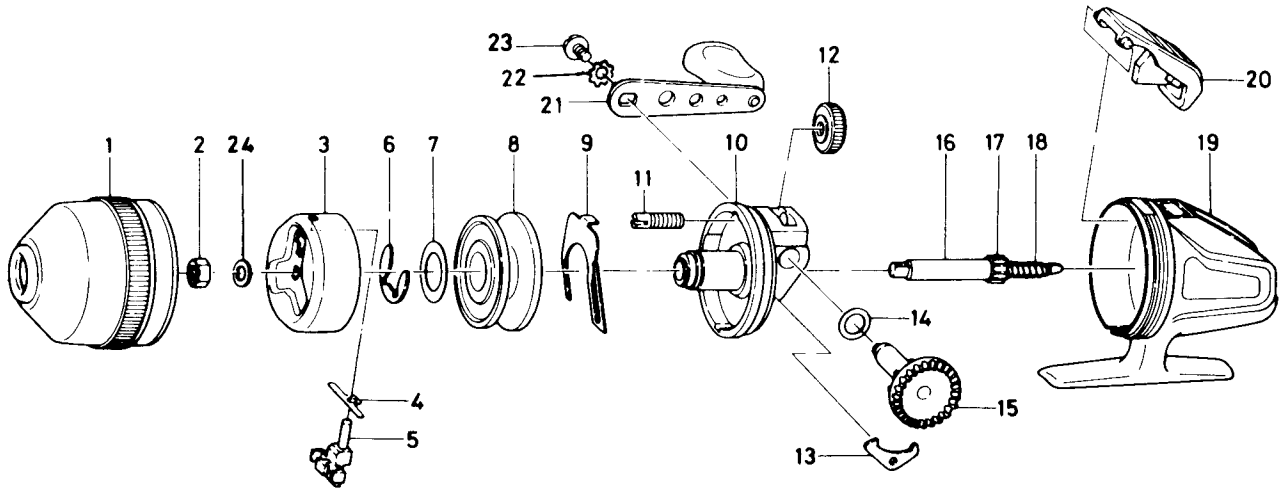


SPINCASTING REEL — J80



Key No. 16-18
B08-6502 Main shaft assembly 3.25

Key No.	Part No.	Part Name	Price
1	B76-7104	Front cover	3.50
2	E42-5101	Rotor nut	.65
3	B60-9501	Rotor	3.05
4	B71-6101	Pick-up pin spring	.45
5	B08-8203	Pick-up pin	.95
6	320-0351	Spool retainer	.40
7	370-4512	Spool washer	.50
8	B61-2004	Spool	3.00
9	150-6321	Drag adjusting plate	.75
10	E40-3701	Set plate	1.25
11	370-1302	Drag screw	.40
12	B60-9201	Dial	.50

Key No.	Part No.	Part Name	Price
13	770-0501	Anti-reverse pawl	.65
14	373-7800	Drive gear washer	.40
15	B08-6301	Drive gear	1.85
16	B08-6601	Main shaft	.95
17	B08-6701	Pinion gear	1.20
18	141-2522	Main shaft spring	.55
19	E42-1301	Body	1.10
20	B60-8901	Push button	.70
21	B63-6301	Handle assembly	2.10
22	160-8001	Handle lock washer	.50
23	E40-3301	Handle lock screw	.50
24	E42-5201	Spacer	.35