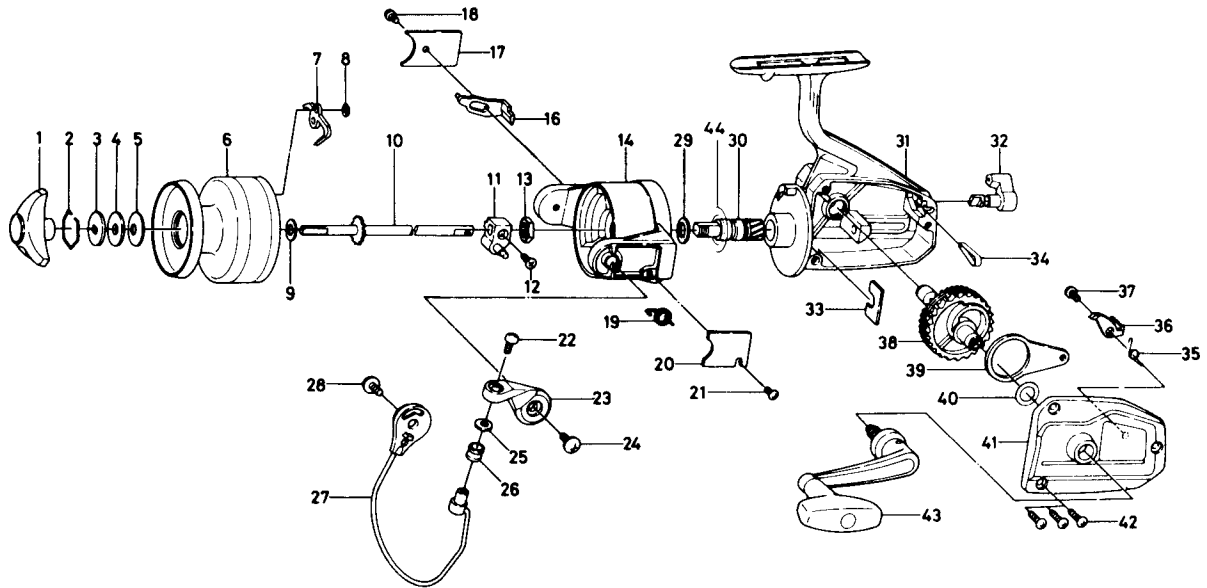


SPINNING REEL J 2600



Key No.	Parts No.	Parts Name	Key No.	Parts No.	Parts Name
1	B60-1401	Drag knob	23	-B19-7303	Bail arm
2	170-4511	Drag washer retainer	24	352-1103	Bail arm screw
3	B60-1301	Drag D washer	25	B59-9501	Bail washer
4	372-7701	Drag washer A	26	250-4501	Line roller
5	150-8401	Drag spring washer	27	B59-9301	Bail
6	K01-5701	Spool	28	352-1103	Bail trip cam screw
7	030-4511	Click Pawl	29	370-7516	Pinion washer
8	B13-0601	Click Pawl retainer	30	B59-8801	Pinion gear
9	374-9001	Spool washer	31	K01-2401	Body
10	B59-9801	Main shaft	32	B66-2301	Anti-reverse lever
11	637-3002	Oscillating support	33	632-6601	Pinion retainer
12	351-8901	Oscillating support screw	34	B11-4303	Anti-reverse lever spring
13	B10-5701	Rotor nut	35	B60-1601	Anti-reverse Pawl spring
14	B59-8902	Rotor	36	110-9622	Anti-reverse Pawl
16	B19-7502	Bail trip lever	37	351-6102	Anti-reverse pawl screw
17	B59-9203	Bail trip lever cover	38	B59-9601	Drive gear
18	352-0402	Bail trip lever cover screw	39	481-2401	Oscillating slider
19	B19-7201	Bail spring	40	371-6400	Drive gear washer
20	B19-7403	Bail spring cover	41	K01-2601	Side cover
21	352-0402	Bail spring cover screw	42	351-5904	Side cover screw
22	B11-2801	Bail screw	43	B60-0301	Handle
			44	B71-3801	Rotor washer

Spool assembly,
sold as one unit
6-K01-5601