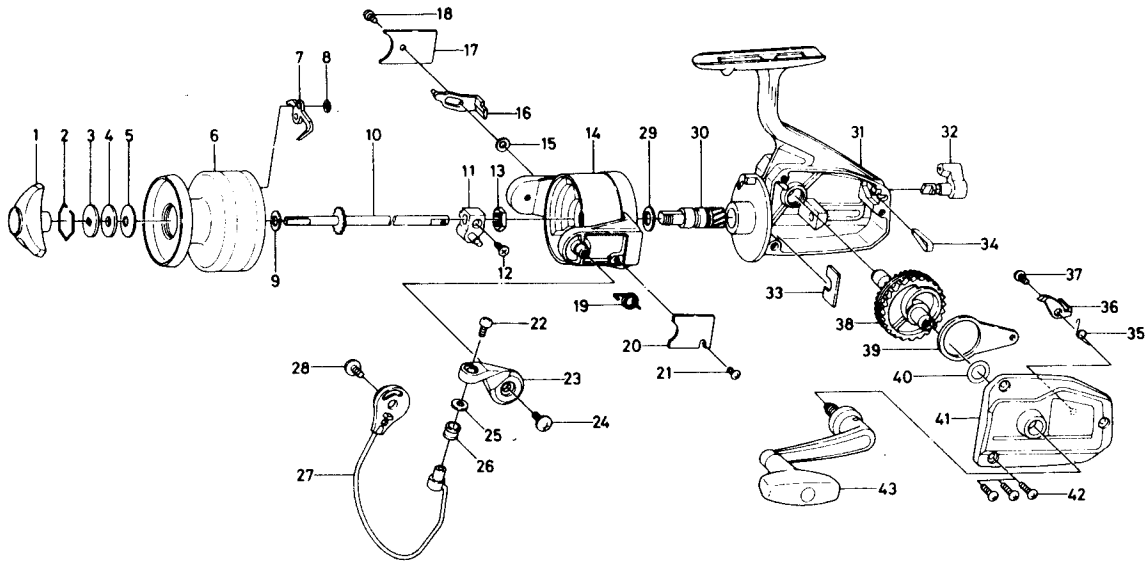


SPINNING REEL **J-25**



Key No.	Parts No.	Parts Name	Key No.	Parts No.	Parts Name
1	B60-1401	Drag knob	23	B19-7302	Arm lever
2	170-4511	Drag washer retainer	24	352-1103	Arm lever screw
3	B60-1301	Drag D washer	25	B59-9501	Bail washer
4	372-7701	Drag washer A	26	250-4501	Line roller
5	150-8401	Drag spring washer	27	B59-9301	Bail
6	B60-0801	Spool	28	352-1103	Bail holder screw
7	030-4511	Spool click claw	29	370-7517	Pinion washer
8	B13-0601	Spool click claw retainer	30	B59-8801	Pinion gear
9	374-9001	Spool washer	31	B59-8501	Body
10	B59-9801	Main shaft	32	B66-2301	Anti-reverse lever
11	637-3002	Oscillating support	33	632-6601	Pinion retainer
12	351-8901	Oscillating support screw	34	B11-4302	Anti-reverse lever spring
13	B10-5701	Rotor nut	35	B60-1601	Anti-reverse claw spring
14	B59-8901	Rotor	36	110-9622	Anti-reverse claw
15	B47-9501	Tension spring	37	351-6102	Anti-reverse claw screw
16	B19-7501	Bail kick lever	38	B59-9601	Drive gear
17	B59-9201	Bail kick lever cover	39	481-2401	Oscillating slider
18	352-0402	Bail kick lever cover screw	40	371-6400	Drive gear adjusting washer
19	B19-7201	Bail spring	41	B60-0001	Body cover
20	B19-7401	Bail spring cover	42	351-5904	Body cover screw
21	352-0402	Bail spring cover screw	43	B60-0301	Handle
22	B11-2801	Bail screw			

Spool assembly,
sold as one unit
6-B60-0701