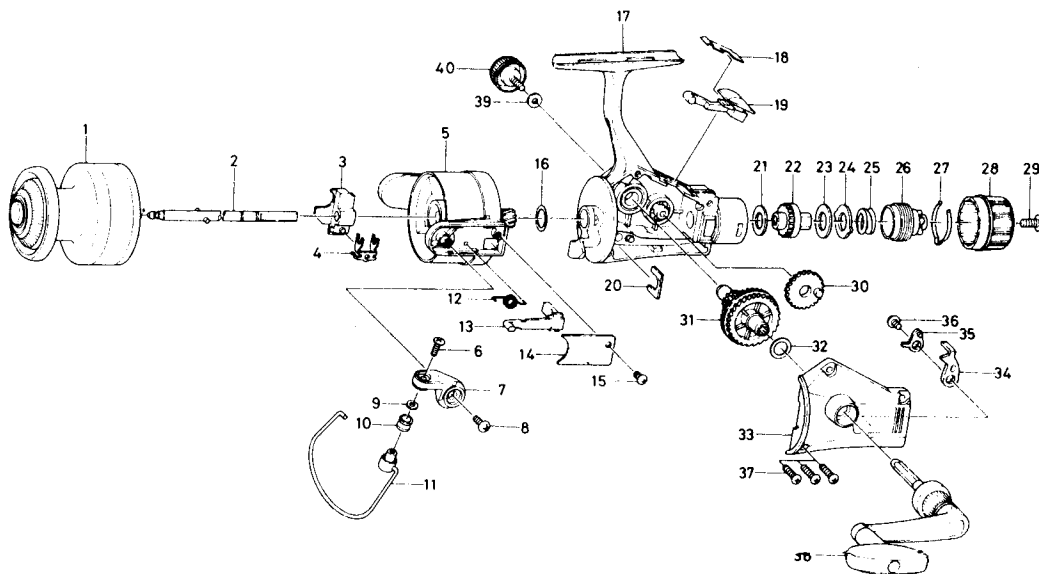




SPINNING REEL J1650/2050



Key No.	Parts No.	Parts Name	Price Each	Key No.	Parts No.	Parts Name	Price Each
1	B78-4604	Spool	7.00	25	B91-3701	Drag coil spring	0.40
2	B77-0801	Main shaft	1.00	26	B77-0003	Drag screw	1.15
3	B93-7101	Oscillating slider	0.50	27	B77-0301	Drag washer spring	0.40
4	B93-7201	Oscillating slider retainer	0.35	28	B77-0401	Drag knob	1.00
5	B93-6401	Rotor	6.20	29	352-1103	Drag knob spring screw	0.50
6	B67-9301	Line roller screw	0.35	30	B74-3701	Oscillating gear	0.55
7	B91-6701	Bail arm	0.70	31	B93-7001	Drive gear	1.70
8	351-6102	Bail arm screw	0.50	32	373-7800	Drive gear washer	0.35
9	B55-4301	Line roller washer	0.35	33	B93-7301	Side cover	2.15
10	250-3921	Line roller	0.80	34	E05-2001	Anti-reverse pawl	0.50
11	B93-6801	Bail	1.35	35	B50-1201	Anti-reverse pawl plate	0.50
12	B91-6501	Bail spring	0.50	36	351-6102	Anti-reverse pawl screw	0.50
13	B93-6601	Bail trip lever	0.35	37	351-8504	Side cover screw	0.35
14	B93-6701	Bail spring cover	0.35	38	B93-7601	Handle	3.95
15	352-0402	Bail spring cover screw	0.35	39	B92-4901	Handle lock washer	0.40
16	372-8600	Spool washer	0.40	40	B92-5001	Handle screw cap	0.40
17	B93-6101	Body	4.90	J2050 special parts			
18	B79-0101	Anti-reverse cam spring	0.50	1	B78-4404	Spool	7.50
19	B84-8901	Anti-reverse lever	0.60	5	B93-8301	Rotor	6.15
20	B60-3401	Pinion retainer	0.35	11	B93-8501	Bail	1.35
21	B78-6601	Drag washer A	0.50	17	B93-6102	Body	4.95
22	B76-9801	Click gear	0.50	33	B93-7302	Side cover	2.15
23	B46-9504	Drag washer B	0.40	38	B83-8701	Handle	3.95
24	373-3603	Eared washer	0.40				