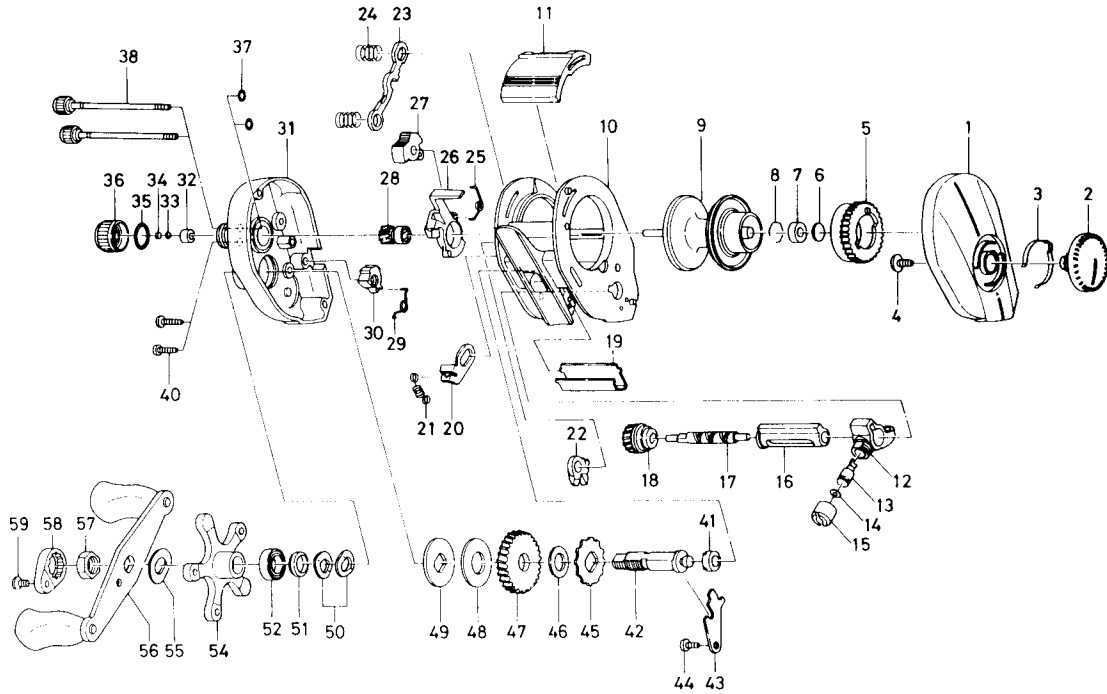


# BAITCASTING REEL HT1500FL



Key No.	Parts No.	Parts Name	Key No.	Parts No.	Parts Name
1	E28-5006	Right side plate	31	E28-4806	Left side plate
2	E23-9702	Brake adjusting knob	32	E34-2401	Bushing B
3	B74-7702	Brake click spring	33	E16-9201	Spool adjusting cap metal
4	E03-7801	Brake adjusting knob screw	34	E17-0501	Spacer B
5	E23-9501	Magnet holder	35	171-5201	"O" ring A
6	375-7400	Spacer A	36	E23-8401	Cast control cap
7	B55-0301	Bushing A	37	B85-3101	"O" ring B
8	B42-1601	Bearing retainer A	38	B91-1708	Left side plate screw
9	E28-5301	Spool assembly	40	E13-0501	Set plate screw
10	E35-2601	Frame assembly	41	B55-0301	Bushing C
11	E28-3701	Clutch lever	42	E23-7501	Drive shaft
12	E16-6301	Line guide	43	E23-7601	Drive shaft retainer
13	121-4212	Line guide pawl	44	B83-4402	Drive shaft retainer screw
14	375-4100	Line guide washer	45	E32-7701	Anti-reverse ratchet
15	342-4801	Pawl cap	46	375-7103	Drive shaft washer
16	E28-4701	Level wind guard	47	B28-4401	Drive gear
17	E28-4601	Worm shaft	48	B36-0202	Drag washer
18	E20-6001	Worm shaft gear	49	B36-0301	Key washer
19	E31-0302	Line guard	50	150-8901	Drag spring washer
20	E28-3901	Clutch trip plate	51	E20-8501	Spacing sleeve
21	E30-6001	Clutch trip plate spring	52	E15-4001	Ball bearing
22	E23-8001	Anti-reverse pawl	54	E23-8702	Star drag
23	E23-7701	Yoke	55	150-9001	Friction washer
24	E16-7101	Yoke spring	56	E30-5202	Handle assembly
25	E28-4101	Clutch cam spring	57	B43-3601	Handle nut
26	E28-4001	Clutch cam	58	B43-3902	Handle nut plate
27	E24-9101	Flipping lever	59	351-1801	Handle nut plate screw
28	E28-4201	Pinion gear			
29	E30-9601	Anti-reverse lever spring			
30	E30-9501	Anti-reverse lever			