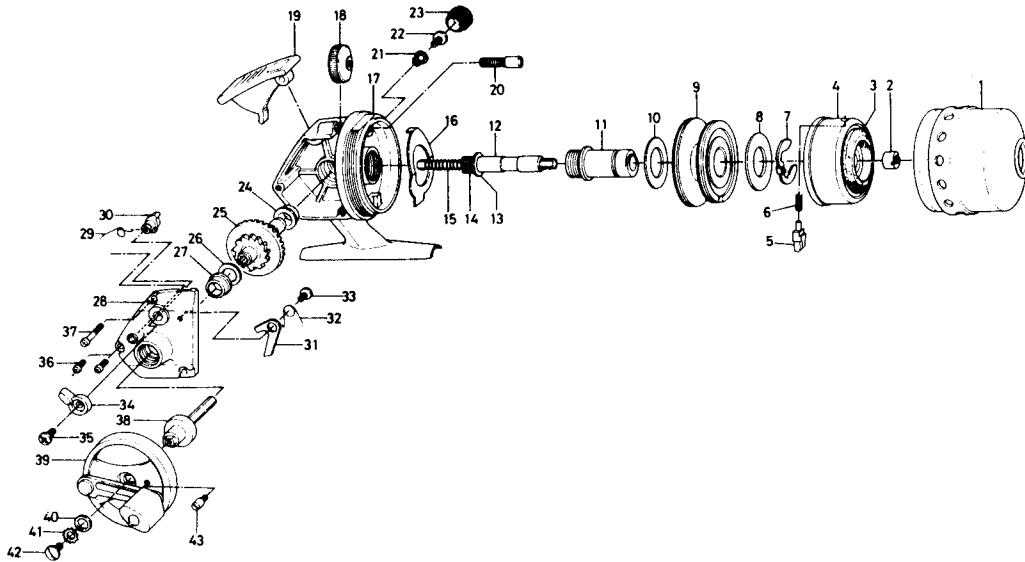


SPINCASTING REEL

Goldcast 308RL



KEY NO. 3 ~ 6
6-736-6302

ROTOR ASSEMBLY

KEY NO. 12 ~ 15
6-711-1631

MAIN SHAFT ASSEMBLY

Key No.	Parts No.	Parts Name
1	755-1203	Front cover
2	342-3701	Rotor nut
3	330-4411	Line stopper
4	736-6202	Rotor
5	180-3811	Pick up pin
6	142-4501	Pick up pin spring
7	320-9101	Spool retainer
8	370-0412	Spool washer
9	732-1632	Spool
10	370-0412	Spool washer
11	381-7511	Shaft metal
12	393-3821	Main shaft
13	633-8811	Ball bearing
14	402-6401	Pinion
15	142-7711	Main shaft spring
16	151-6501	Drag adjusting plate
17	700-8621	Body
18	B12-3001	Drag adjusting dial
19	781-6307	Push button
20	363-5911	Drag adjusting screw
21	501-8501	Handle screw holder
22	363-8511	Handle screw A

Key No.	Parts No.	Parts Name
23	B03-4802	Handle screw cap
24	637-4801	Drive gear shaft holder
25	413-5201	Drive gear
26	370-5100	Drive gear washer
27	637-4801	Drive gear shaft holder
28	062-9905	Body cover
29	B09-1401	Anti-reverse cam spring
30	461-4501	Anti-reverse cam
31	111-7011	Anti-reverse claw
32	144-5111	Anti-reverse claw spring
33	351-7701	Anti-reverse claw screw
34	541-3132	Anti-reverse lever
35	351-4701	Anti-reverse lever screw
36	351-1101	Body cover screw (short)
37	353-4911	Body cover screw (long)
38	071-0503	Drive gear shaft
39	746-6001	Handle
40	375-2501	Handle washer A
41	160-8001	Handle washer B
42	352-1101	Handle screw B
43	363-6201	Handle arm stopper screw