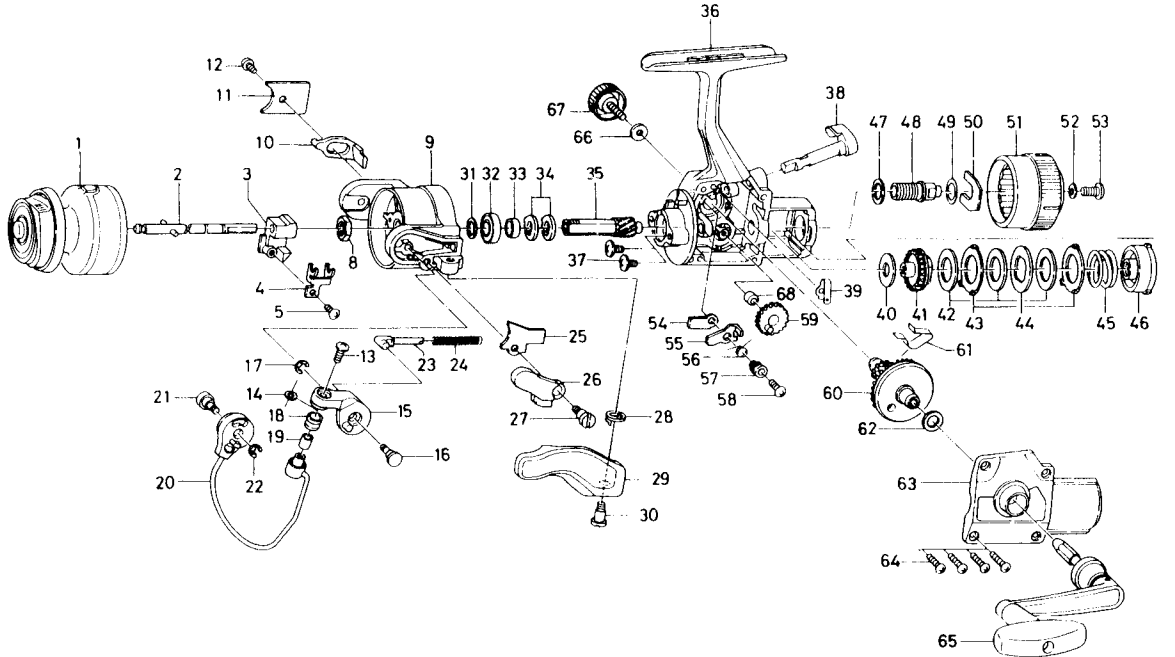


SPINNING REEL GX1355TH/GX1655TH



| Key No. | Parts No. | Parts Name | Key No. | Parts No. | Parts Name |
|---------|-----------|------------------------------|-------------------------------|-----------|------------------------------|
| 1 | E38-5201 | Spool assembly | 40 | E21-4801 | Drag washer A |
| 2 | B96-3302 | Spool assembly (Extra Spool) | 41 | E35-6701 | Click gear |
| 3 | E23-0801 | Main shaft assembly | 42 | E21-5001 | Drag washer B |
| 4 | E35-8001 | Oscillating slider | 43 | E21-5101 | Eared washer |
| 5 | E35-8101 | Oscillating slider retainer | 44 | E21-5201 | Key washer |
| 8 | 351-0903 | Oscillating slider screw | 45 | E35-6801 | Drag coil spring |
| 9 | B10-5701 | Rotor nut | 46 | E27-0801 | Drag nut |
| 10 | E22-8603 | Rotor | 47 | E21-5401 | Drag screw washer A |
| 11 | B35-7801 | Bail trip lever | 48 | E34-8101 | Drag screw |
| 12 | B20-2401 | Bail trip cover | 49 | 373-7810 | Drag screw washer B |
| 13 | B83-4401 | Bail trip cover screw | 50 | E21-5703 | Drag screw retainer |
| 14 | B67-9302 | Line roller screw | 51 | E38-5001 | Drag knob |
| 15 | B55-4301 | Line roller washer | 52 | 375-1001 | Drag knob washer |
| 16 | E21-3601 | Bail arm | 53 | 353-8203 | Drag knob screw |
| 17 | E21-3701 | Bail arm screw | 54 | E35-6001 | Anti-reverse pawl plate |
| 18 | 320-5901 | Bail arm screw retainer | 55 | E35-6101 | Anti-reverse pawl |
| 19 | 250-3921 | Line roller | 56 | E35-6201 | Anti-reverse pawl spring A |
| 20 | B45-1501 | Line roller bushing | 57 | B96-5501 | Anti-reverse pawl collar |
| 21 | E22-8801 | Bail assembly | 58 | B00-9701 | Anti-reverse pawl screw |
| 22 | B83-4201 | Bail trip cam screw | 59 | B74-2503 | Oscillating gear |
| 23 | 320-5901 | Bail trip cam screw retainer | 60 | F01-9301 | Drive gear |
| 24 | E21-3501 | Bail spring shaft | 61 | E35-7301 | Anti-reverse pawl spring B |
| 25 | E34-8001 | Bail spring | 62 | 373-7800 | Drive gear washer |
| 26 | E21-3801 | Bail spring cover | 63 | E38-5101 | Side cover |
| 27 | B67-4901 | Trigger plate | 64 | B83-5001 | Side cover screw |
| 28 | E35-7201 | Bail spring cover screw | 65 | E23-4701 | Handle assembly |
| 29 | B67-5201 | Trigger spring | 66 | B92-4902 | Handle lock washer |
| 30 | B67-5107 | Trigger lever | 67 | B92-5003 | Handle lock screw |
| 31 | E35-7202 | Trigger screw | 68 | E29-9401 | Oscillating gear collar |
| 32 | 371-2827 | Bearing washer | GX1655TH Special Parts | | |
| 33 | B54-6001 | Ball bearing | 1 | E38-5301 | Spool assembly |
| 34 | E35-6601 | Spacing sleeve | 9 | E00-5402 | Spool assembly (Extra Spool) |
| 35 | E35-6401 | Anti-reverse ratchet | 20 | E22-9904 | Rotor |
| 36 | E38-5601 | Pinion gear | 36 | E23-0001 | Bail assembly |
| 37 | E38-4901 | Body assembly | 65 | E38-4902 | Body assembly |
| 38 | B84-2102 | Bearing retainer screw | | E23-1101 | Handle assembly |
| 39 | E23-0701 | Anti-reverse lever | | | |
| | B58-8601 | Anti-reverse cam spring | | | |