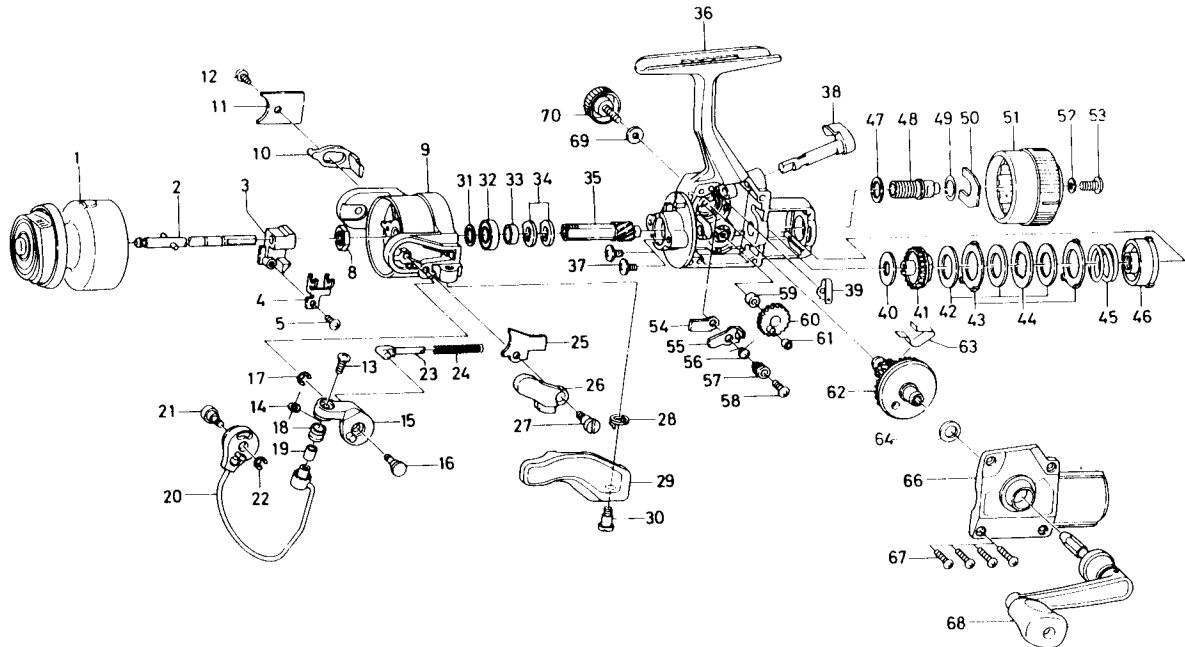


SPINNING REEL GX1055TH



Key No.	Parts No.	Parts Name	Key No.	Parts No.	Parts Name
1	E38-4801	Spool assembly	36	E38-4601	Body assembly
	B99-5602	Spool assembly (Extra Spool)	37	B03-7801	Bearing retainer screw
2	E21-4401	Main shaft assembly	38	E21-3002	Anti-reverse lever
3	E21-4601	Oscillating slider	39	B58-8601	Anti-reverse cam spring
4	E21-4701	Oscillating slider retainer	40	E21-4801	Drag washer A
5	351-0903	Oscillating slider screw	41	E21-4901	Click gear
8	341-9201	Rotor nut	42	E21-5001	Drag washer B
9	E21-3305	Rotor	43	E21-5101	Eared washer
	B83-5701	Bail trip lever	44	E21-5201	Key washer
10	B74-7303	Bail trip cover	45	E21-5301	Drag coil spring
11	B83-4401	Bail trip cover screw	46	E27-0801	Drag nut
12	B67-9302	Line roller screw	47	E21-5401	Drag screw washer A
13	B55-4301	Line roller washer	48	E34-8101	Drag screw
14	E21-3601	Bail arm	49	373-7810	Drag screw washer B
15	E21-3701	Bail arm screw	50	E21-5703	Drag screw retainer
16	320-5901	Bail arm screw retainer	51	E21-5802	Drag knob
17	250-3921	Line roller	52	375-1001	Drag knob washer
18	B45-1501	Line roller bushing	53	353-8203	Drag knob screw
19	E36-1001	Bail assembly	54	E21-8901	Anti-reverse pawl plate
20	B83-4201	Bail trip cam screw	55	B95-9402	Anti-reverse pawl
21	320-5901	Bail trip cam screw retainer	56	E36-2301	Anti-reverse pawl spring A
22	E21-3501	Bail spring shaft	57	E15-6101	Anti-reverse pawl collar
23	E21-3401	Bail spring	58	B00-8601	Anti-reverse pawl screw
24	E21-3801	Bail spring cover	59	E23-4801	Oscillating gear collar A
25	B67-4901	Trigger plate	60	E21-4101	Oscillating gear
26	B68-8802	Bail spring cover screw	61	E21-4201	Oscillating gear collar B
27	B67-5201	Trigger spring	62	F01-8701	Drive gear
28	B67-5107	Trigger lever	63	E21-4301	Anti-reverse pawl spring B
29	B68-9802	Trigger screw	64	375-8500	Drive gear washer
30	375-8505	Bearing washer	66	E38-4701	Side cover
31	634-1301	Ball bearing A	67	E15-8601	Side cover screw
32	B99-4501	Spacing sleeve	68	E38-5701	Handle assembly
33	E21-3201	Anti-reverse ratchet	69	E20-8901	Handle lock washer
34	F01-8601	Pinion gear	70	E00-1804	Handle lock screw