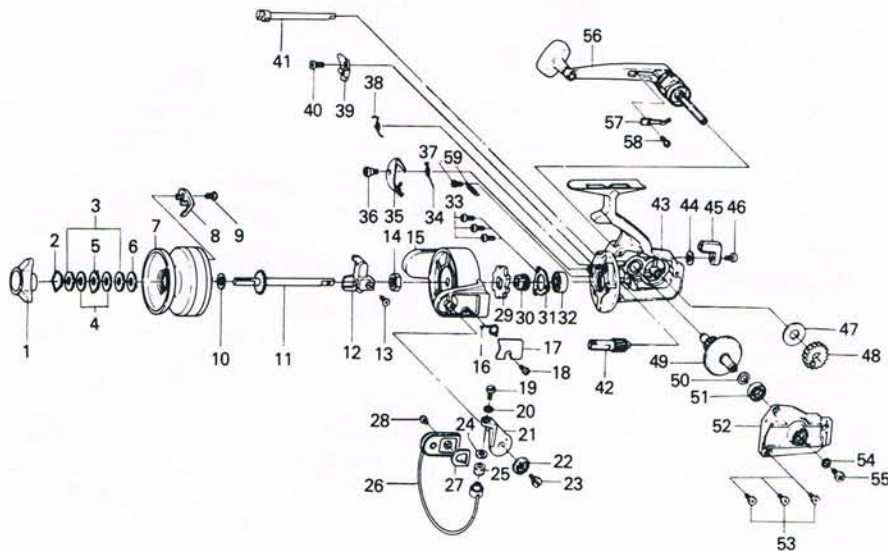


SPINNING REEL GS-3



LINE CAPACITY: 250 YDS., 15 LB. TEST (230m. 6.8kg)

Key No. 2 ~ 9
6-731-4703 Spool assembly
Key No. 56 ~ 58
6-746-8101 Handle assembly

For Parts & Service
Call 1-888-404-1119
www.mikesrelrepair.com

Key No.	Parts No.	Parts Name
1	6-740-2601	Drag knob
2	6-170-4001	Drag washer retainer
3	6-373-2502	Drag D washer
4	6-374-2901	Disc washer
5	6-375-5301	Drag A washer
6	6-370-6901	Drag washer A
7	6-731-1202	Spool
8	6-030-4411	Spool click claw
9	6-351-6102	Spool click claw screw
10	6-374-9002	Spool washer
11	6-710-9123	Main shaft
12	6-481-0901	Oscillating slider
13	6-351-8901	Oscillating slider screw
14	6-340-8301	Rotor nut
15	6-201-7803	Rotor
16	6-143-5311	Bail spring
17	6-632-6411	Bail spring cover
18	6-352-2501	Bail spring cover screw
19	6-363-3111	Bail screw
20	6-375-1101	Bail washer
21	6-231-1901	Arm lever
22	6-130-3201	Bail holder cap
23	6-363-1901	Arm lever screw
24	6-501-2001	Roller collar
25	6-250-4301	Line roller
26	6-725-5621	Bail
27	6-210-3111	Balancer
28	6-351-6601	Bail holder screw
29	6-280-5301	Ratchet
30	6-270-7001	Click gear

Key No.	Parts No.	Parts Name
31	6-635-9901	Ball bearing ret. washer
32	6-636-6001	Ball bearing
33	6-351-6601	Ball bearing ret. washer screw
34	6-144-0211	Click claw spring
35	6-770-0801	Click claw
36	6-363-3013	Click claw screw
37	6-363-3301	Click lever spring screw
38	6-144-0301	Anti-reverse cam spring
39	6-770-0731	Anti-reverse claw
40	6-363-3601	Anti-reverse claw screw
41	6-461-5001	Anti-reverse cam
42	6-402-3201	Pinion gear
43	6-700-8101	Body
44	6-373-2700	Anti-reverse lever washer
45	6-514-4901	Anti-reverse lever
46	6-352-2501	Anti-reverse lever screw
47	6-374-6600	Oscillating gear washer
48	6-412-3401	Oscillating gear
49	6-413-1401	Drive gear
50	6-371-2820	Drive gear washer
51	6-636-6001	Ball bearing
52	6-705-8804	Body cover
53	6-351-8501	Body cover screw
54	6-371-9521	Handle washer
55	6-351-3631	Handle screw
56	6-746-8101	Handle arm
57	6-151-4401	Handle leaf spring
58	6-352-0401	Handle leaf spring screw
59	6-144-1211	Click lever spring