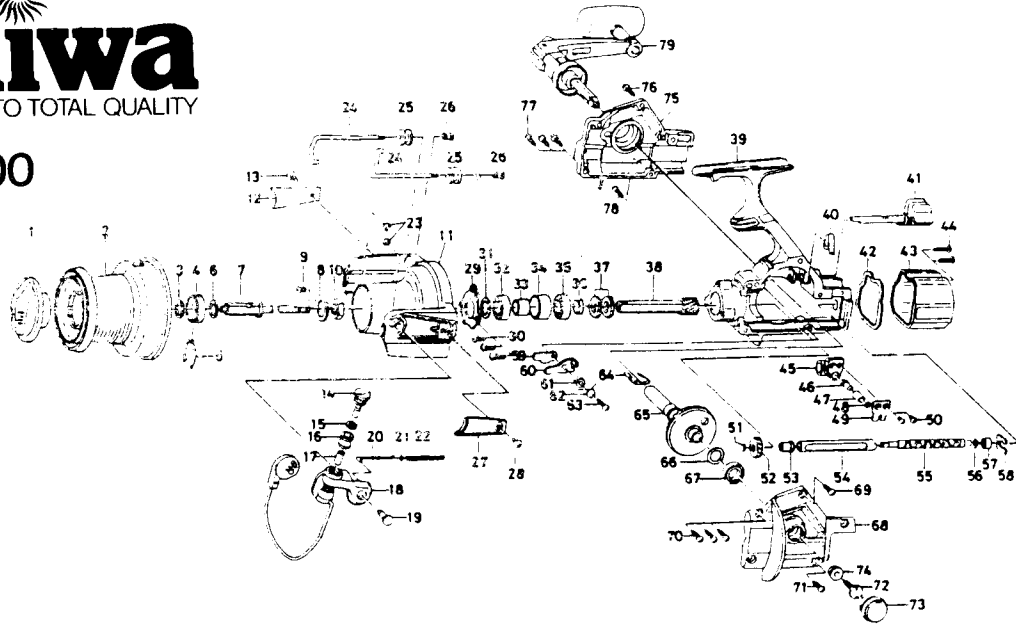


## GS9000



Key No.	Parts No.	Parts Name	Key No.	Parts No.	Parts Name
1.	E33-9002	Drag knob	42.	E35-0401	Water shield
2.	E35-4901	Spool assembly	43.	E35-0502	Rear cover
3.	E14-6503	Spool washer	44.	E24-8102	Rear cover screw
4.	E12-2301	Click leaf spring holder	45.	E26-3102	Oscillating slider
5.	B74-7701	Spool click leaf spring	46.	E26-4101	Oscillating pawl
6.	371-2800	Main shaft washer	47.	E26-4201	Oscillating pawl bush
7.	E35-0201	Main shaft assembly	48.	375-0800	Oscillating pawl washer
8.	E33-3801	Rotor nut holding plate	49.	E26-4301	Oscillating slider cover
9.	351-1804	Rotor nut holding plate screw	50.	352-1502	Oscillating slider cover screw
10.	B43-7603	Rotor nut	51.	320-5901	Worm shaft gear retainer
11.	E34-9702	Rotor assembly	52.	E34-9201	Worm shaft gear
12.	E26-5901	Bail trip cover	53.	E18-6801	Worm shaft bush
13.	351-6106	Bail trip cover screw	54.	E26-3201	Worm shield cover
14.	B21-1305	Line roller screw	55.	E26-3301	Worm shaft
15.	375-4301	Lock washer	56.	B41-1700	Worm shaft washer
16.	E33-3601	Line roller	57.	E26-3501	Worm shaft collar
17.	B44-3401	Line roller bushing	58.	E26-3601	Worm shaft retainer
18.	E34-9801	Bail	59.	E34-8401	Anti-reverse pawl plate
19.	E33-3402	Bail arm screw	60.	E34-8501	Anti-reverse pawl
20.	E32-6701	Bail spring shaft	61.	E26-2101	Anti-reverse pawl collar
21.	E31-3901	Bail spring washer	62.	E26-2202	Anti-reverse pawl spring A
22.	E26-5601	Bail spring	63.	B83-5002	Anti-reverse pawl screw
23.	320-5901	Bail arm screw retainer	64.	E26-4501	Anti-reverse pawl spring B
24.	E35-0101	Line guard roller shaft	65.	E35-3101	Drive gear
25.	E32-6801	Line guard roller	66.	B27-0700	Drive gear washer
26.	E26-6901	Roller shaft nut	67.	637-6101	Ball bearing
27.	E26-5901	Bail spring cover	68.	E35-4701	Left side cover
28.	351-6106	Bail spring cover screw	69.	B00-9702	Side cover screw A
29.	B67-8401	Bearing retainer	70.	B00-9701	Side cover screw B
30.	L01-1702	Bearing retainer screw	71.	E15-8601	Side cover screw C
31.	372-7603	Bearing washer	72.	363-8611	Handle collar
32.	637-6101	Bail bearing	73.	E33-4802	Handle screw
33.	E34-8801	Spacer	74.	501-8401	Handle screw cap
34.	E34-8901	Spacing sleeve A	75.	E35-4601	Right side cover
35.	637-6101	Ball bearing	76.	B00-9702	Side cover screw A
36.	E26-2801	Spacing sleeve B	77.	B00-9701	Side cover screw B
37.	E26-2701	Anti-reverse ratchet	78.	E15-8601	Side cover screw C
38.	E34-8701	Pinion gear	79.	E35-4801	Handle assembly
39.	E35-4501	Body			
40.	E32-7801	Anti-reverse cam spring			
41.	E26-2304	Anti-reverse lever			